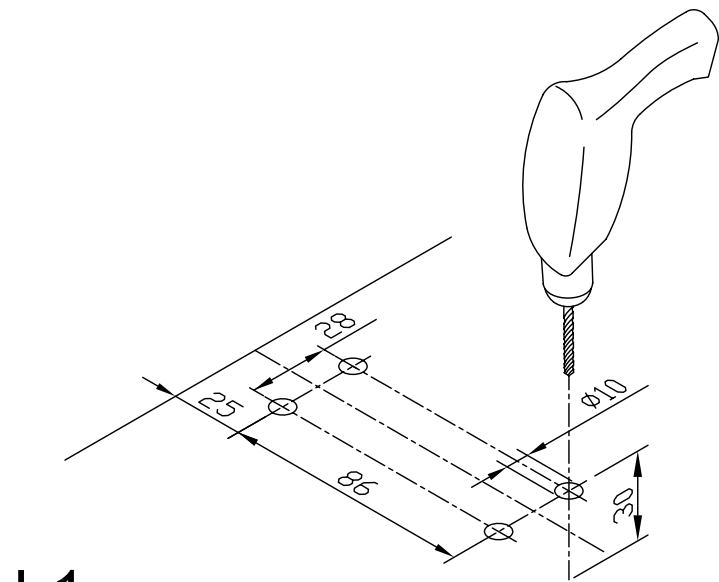
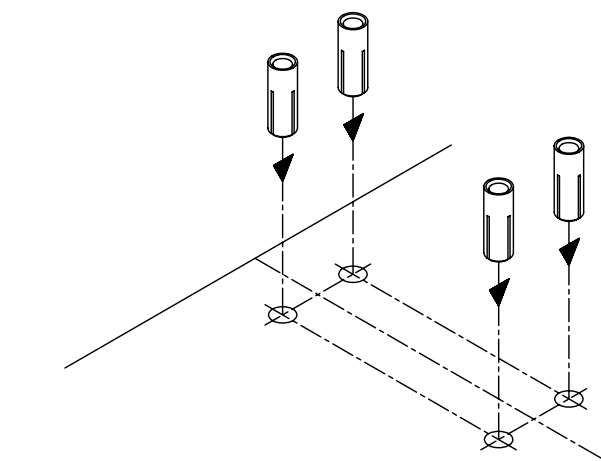


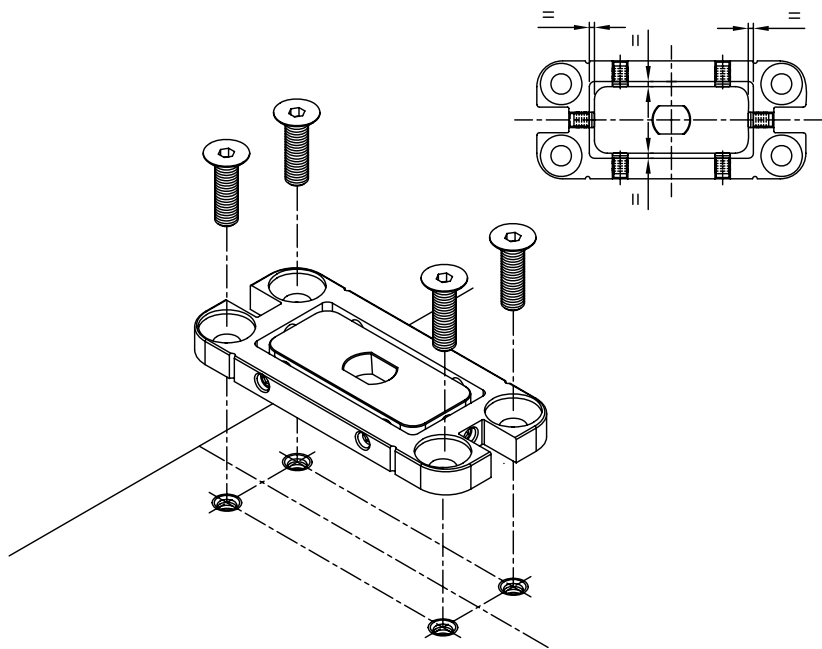
a1



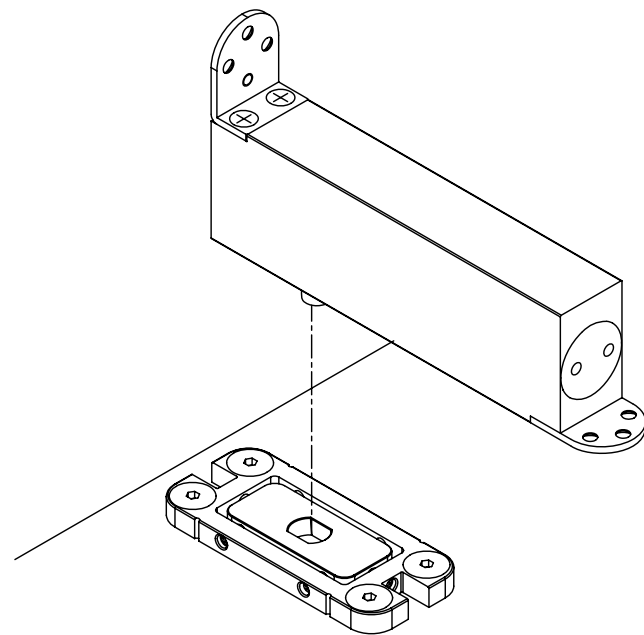
b1



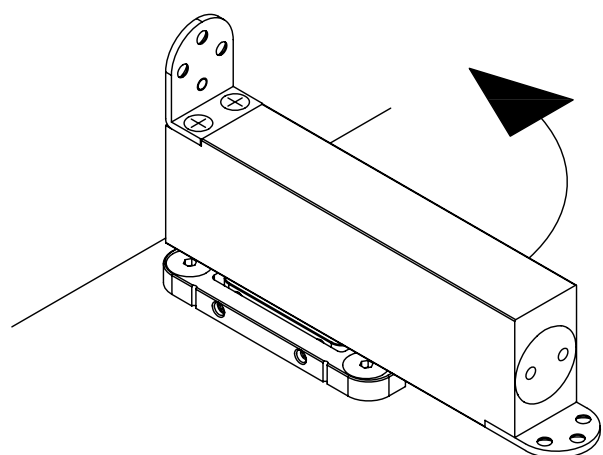
b2



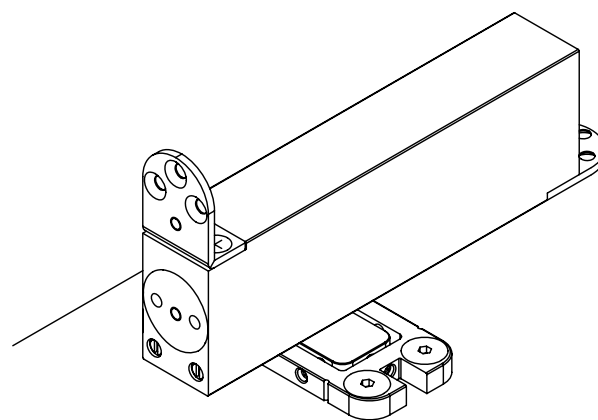
b3



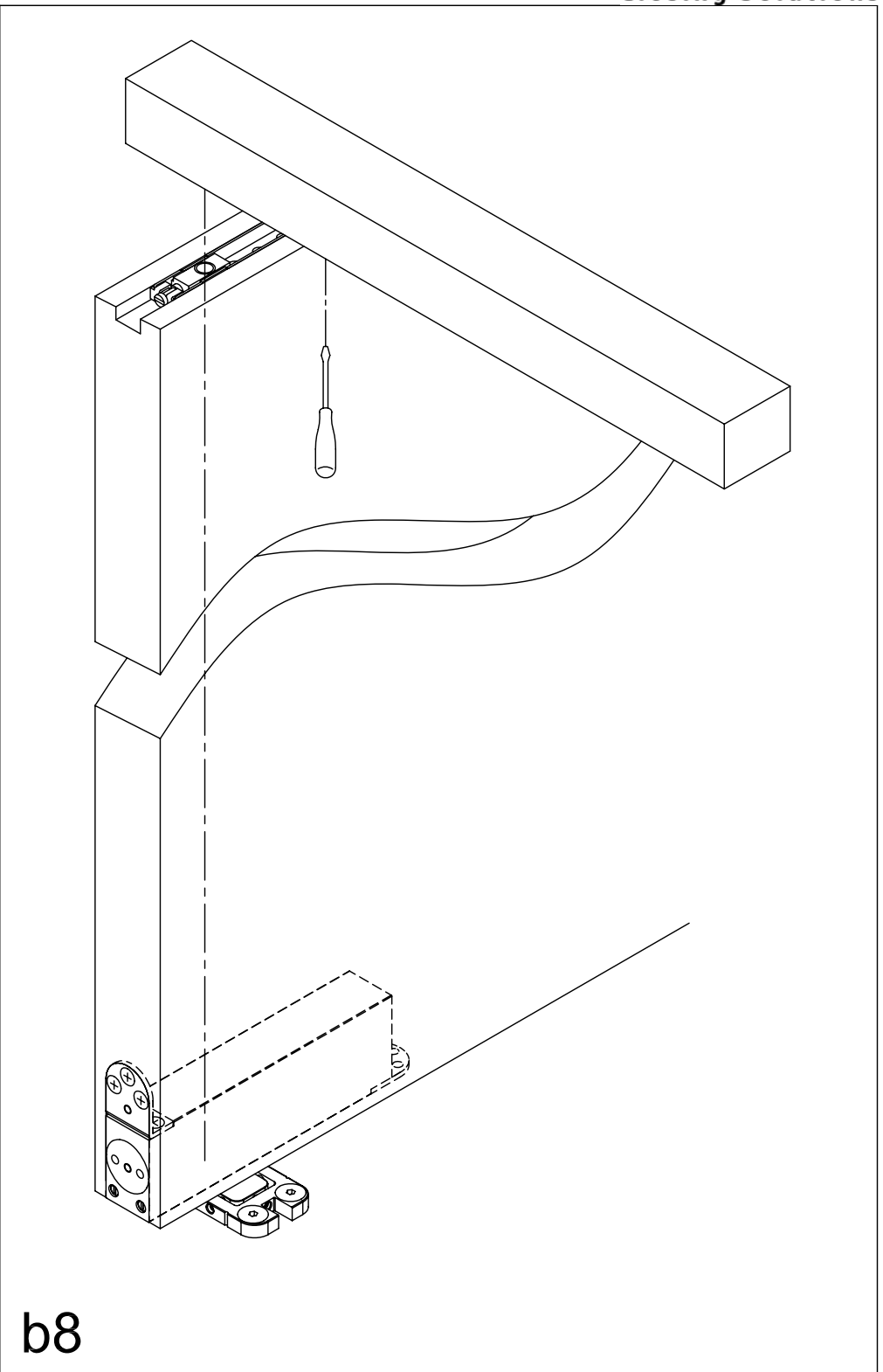
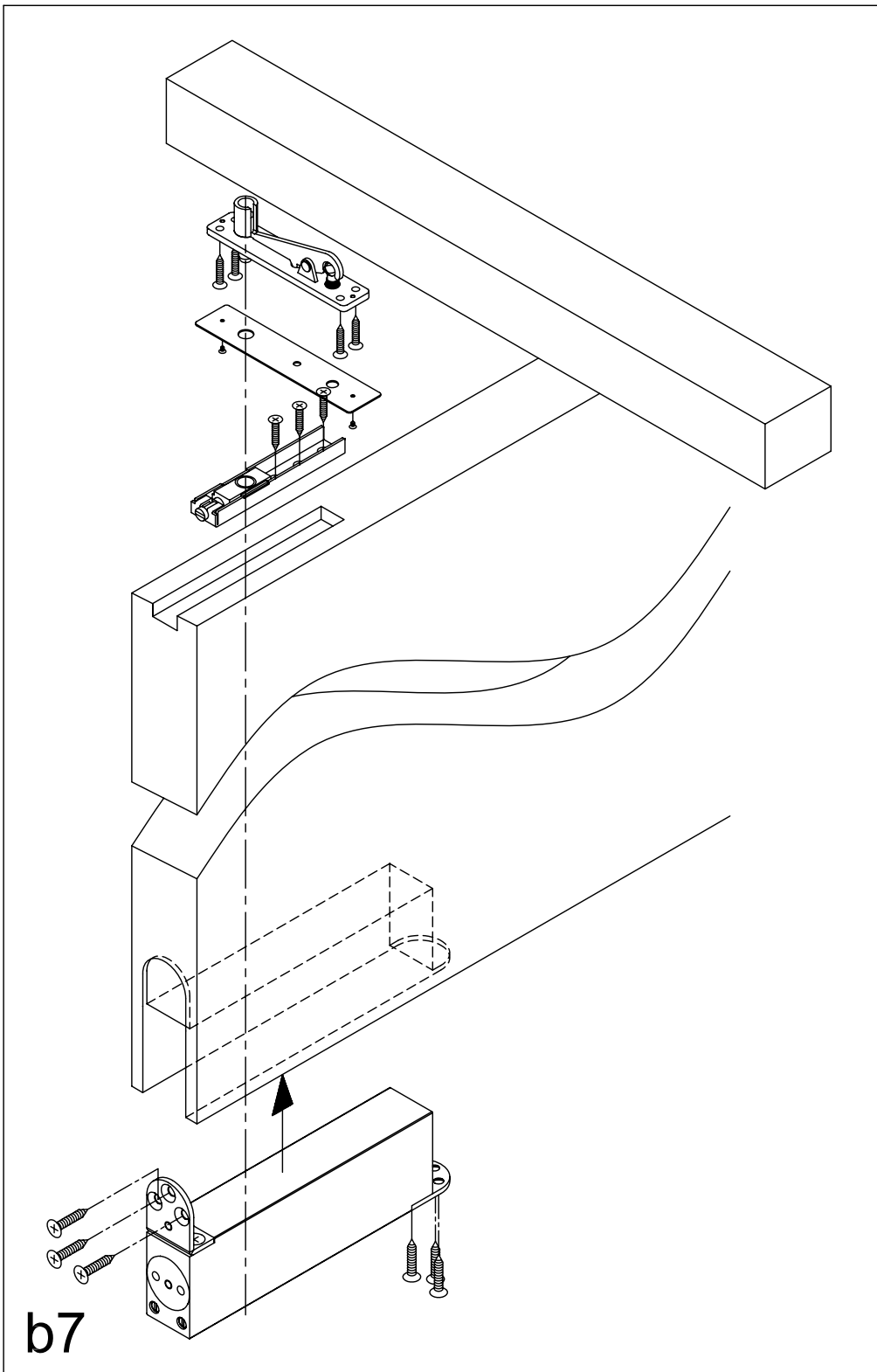
b4



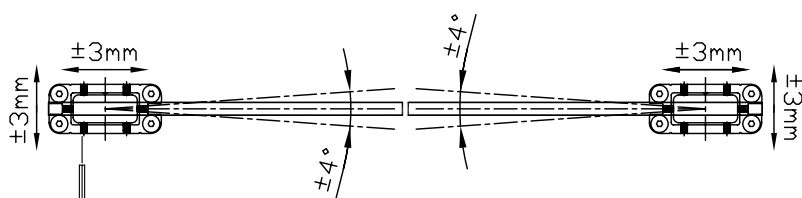
b5



b6

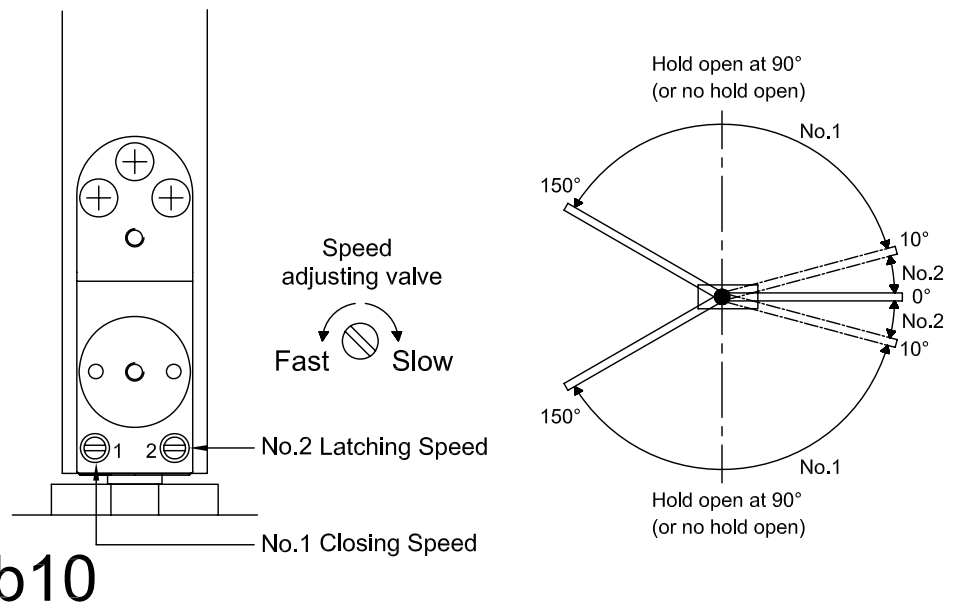


Door adjustment
ADJUST ALIGNMENT, only if needed



SECURE THE ADAPTER PLATE.
Tighten all 6 grub screws with the allen key firmly when the adapter plate is in its final and correct position.

b9



b10

