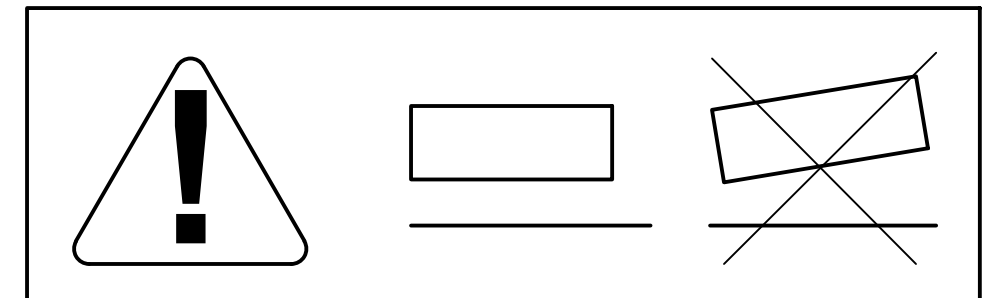
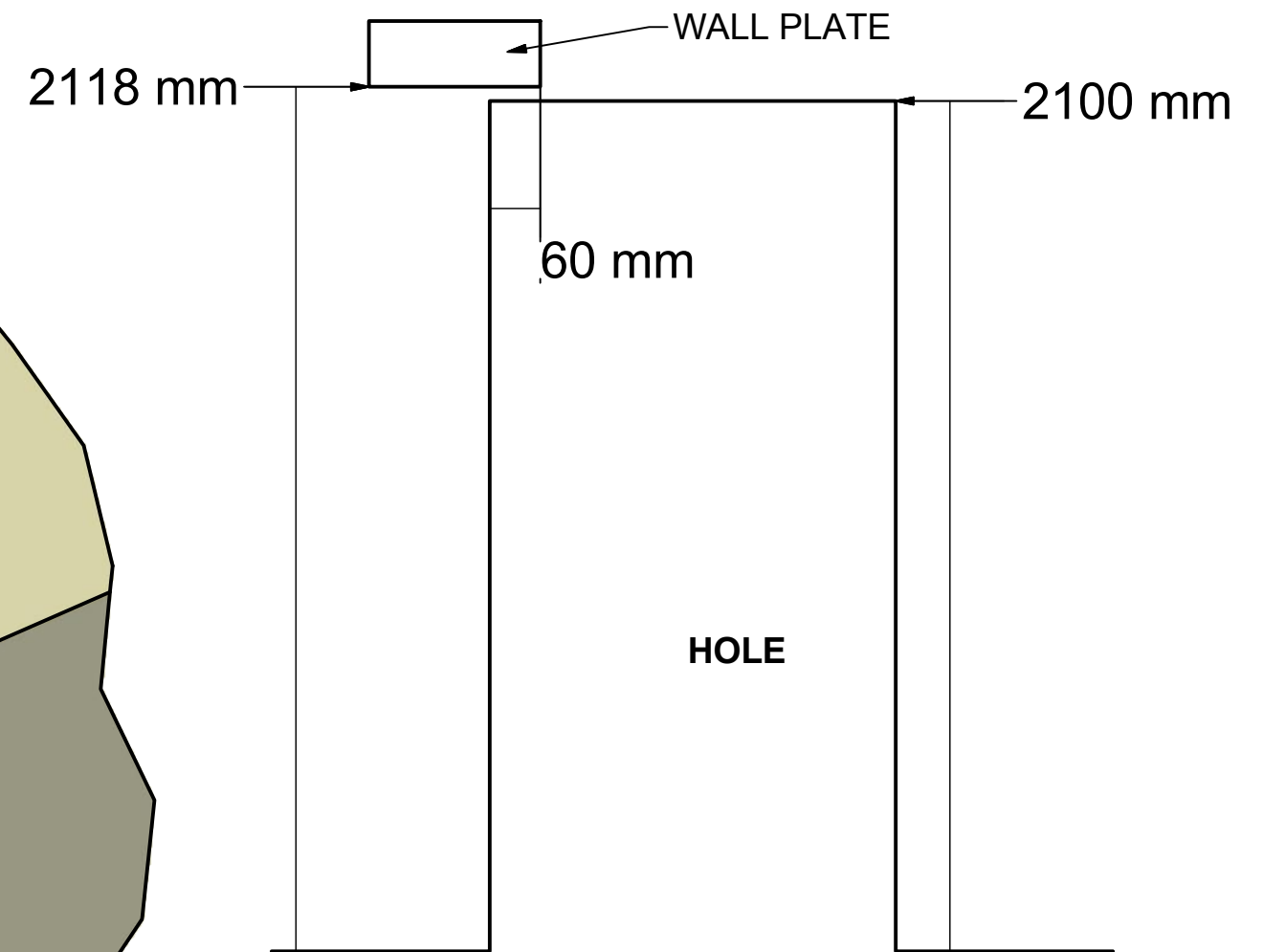
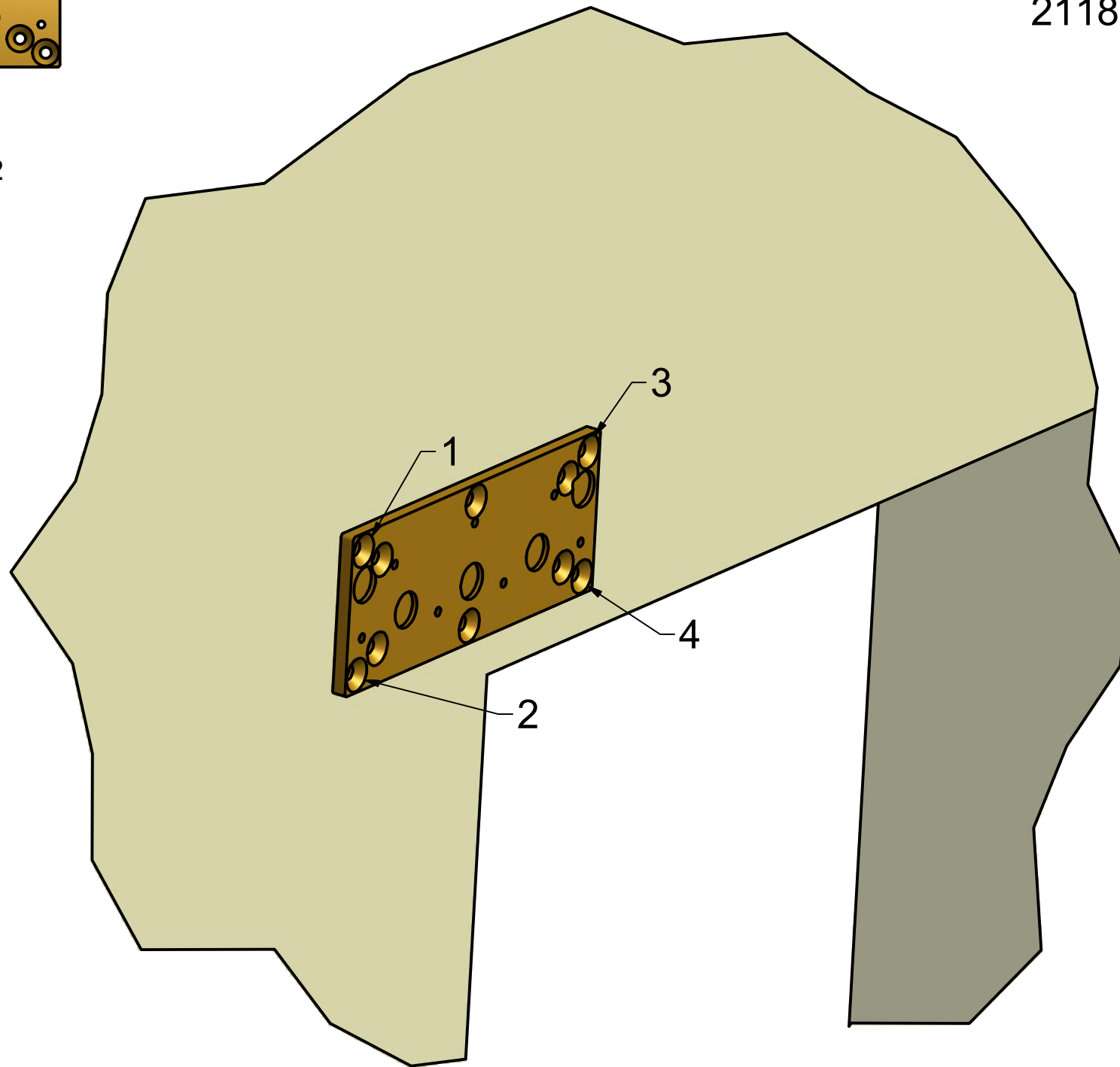
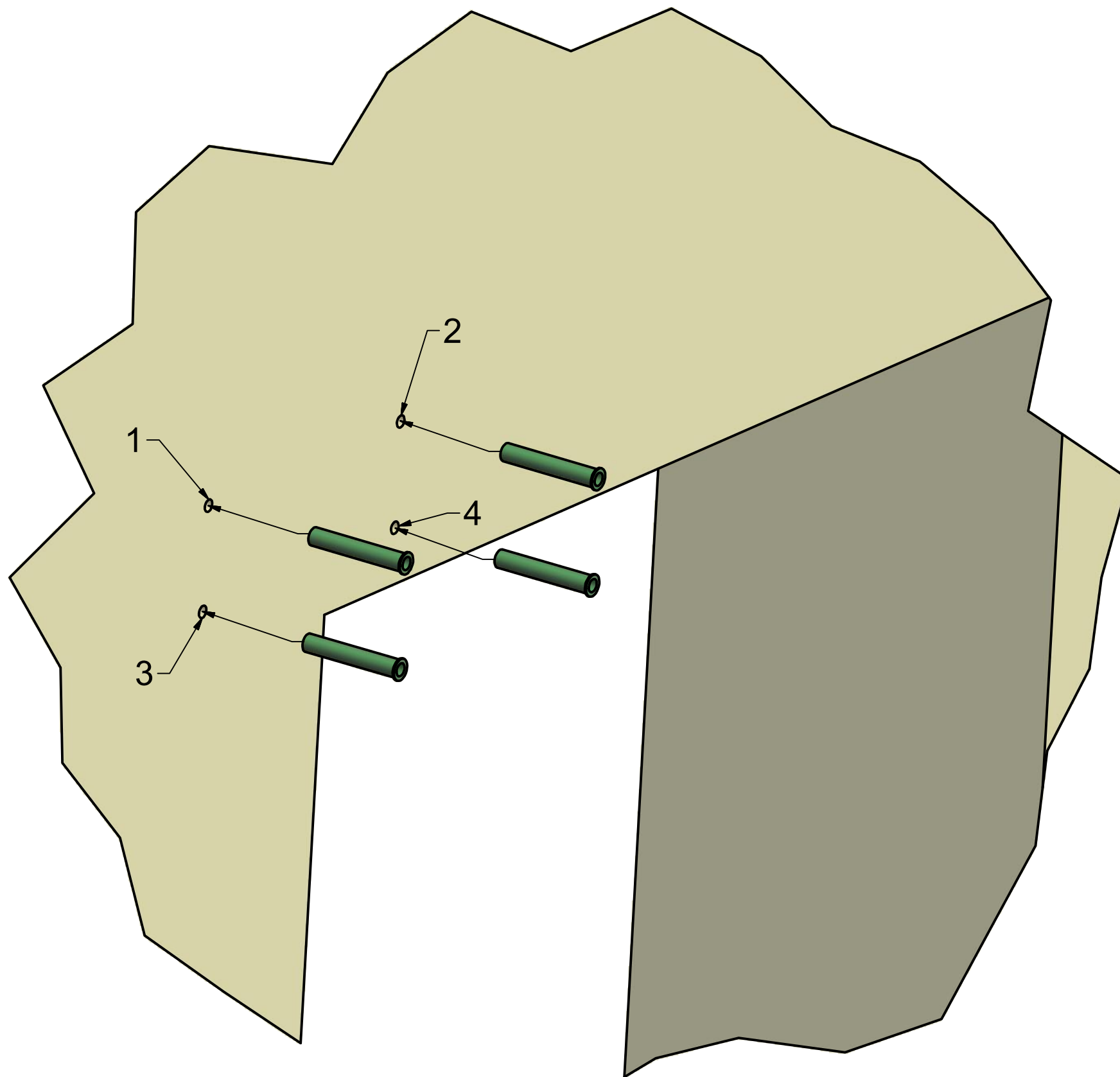


x1
cod. 2.3020691.02

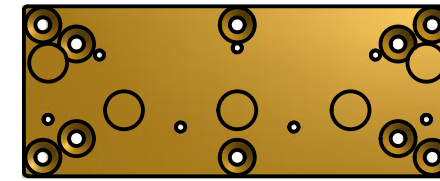
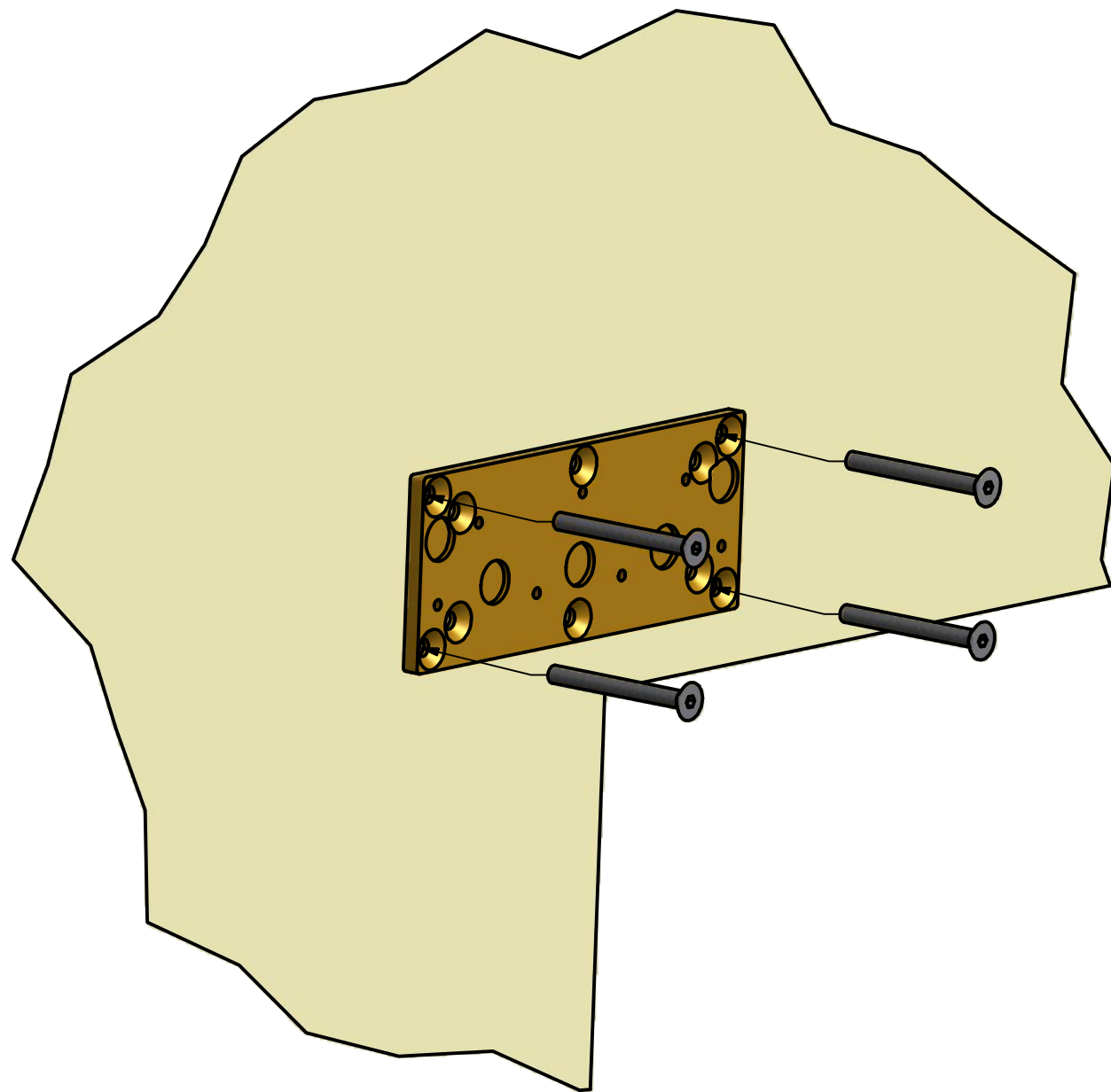


**PLACE THE WALL PLATE,
TAKING CARE THAT IS CORRECTLY ALIGNED,
AND DRILL THE WALL, TO INSERT PLUGS Ø10 mm,
THROUGH HOLE 1,2,3,4.**



x4
cod. 2.6528761.02

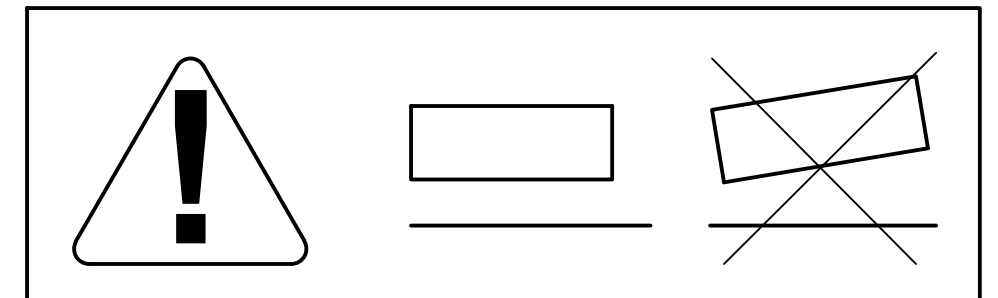
**REMOVE THE PLATE AND
INSERT N°4 STEEL PLUGS
IN THE HOLES 1,2,3,4.**



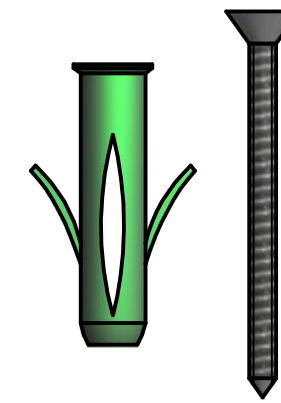
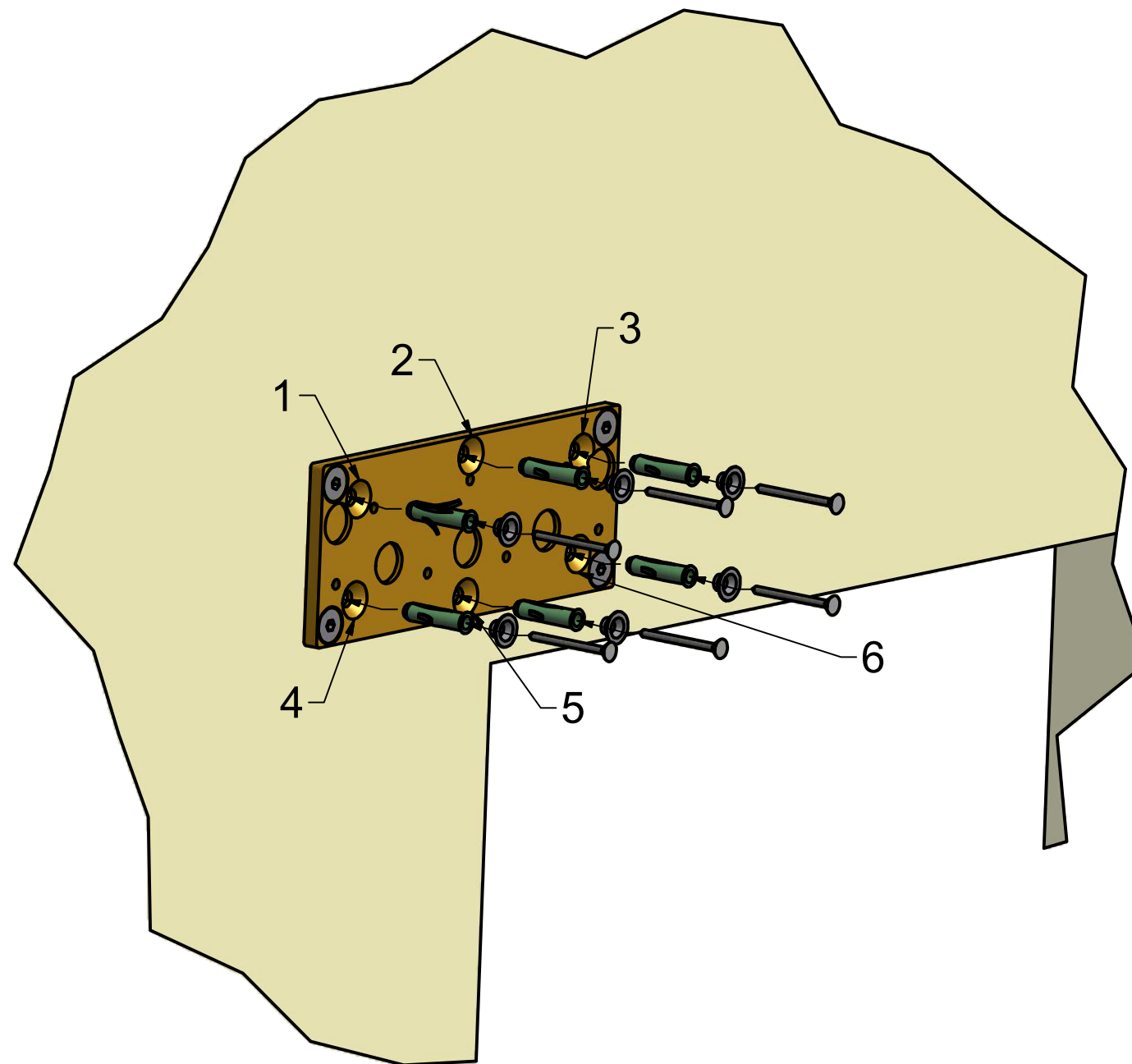
x1
cod. 2.3020691.02



x4
cod. 2.6520601.02



**PLACE AGAIN THE PLATE,
PAYING ATTENTION THAT IS CORRECTLY
ALIGNED,
INSERT THE SCREWS M6x60 INSIDE PLUGS,
THEN TIGHTEN.**

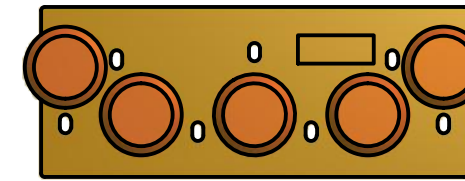
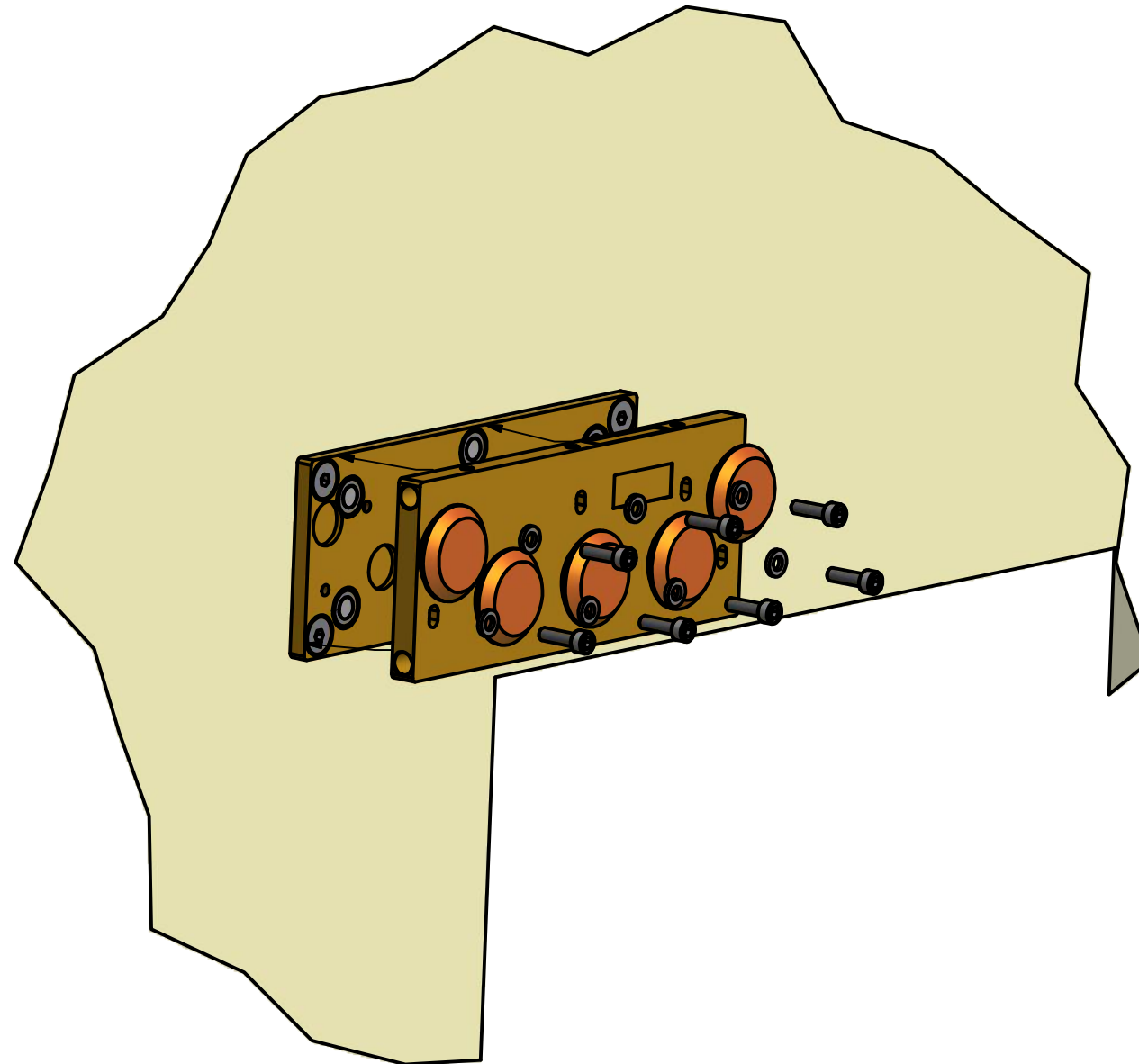


x6
cod. 2.6522434.10



x6
cod. 2.6023371.02

**WITH FIXED PLATE,
DRILL, IN SEQUENCE, THE WALL
1,2,3,4,5,6 AND INSERT
N°6 PLASTIC PLUGS Ø8 mm , THE CONICAL
WASHERS AND, FINALLY, THE SCREWS
MORDENTI SUPPLIED.**



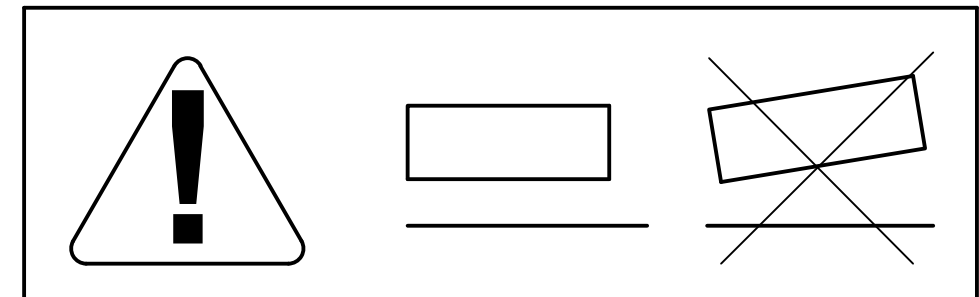
x1
cod. 3.2030701.02



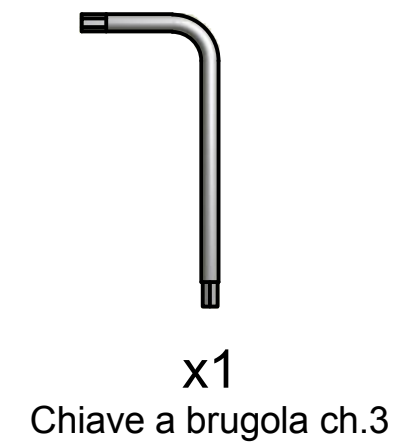
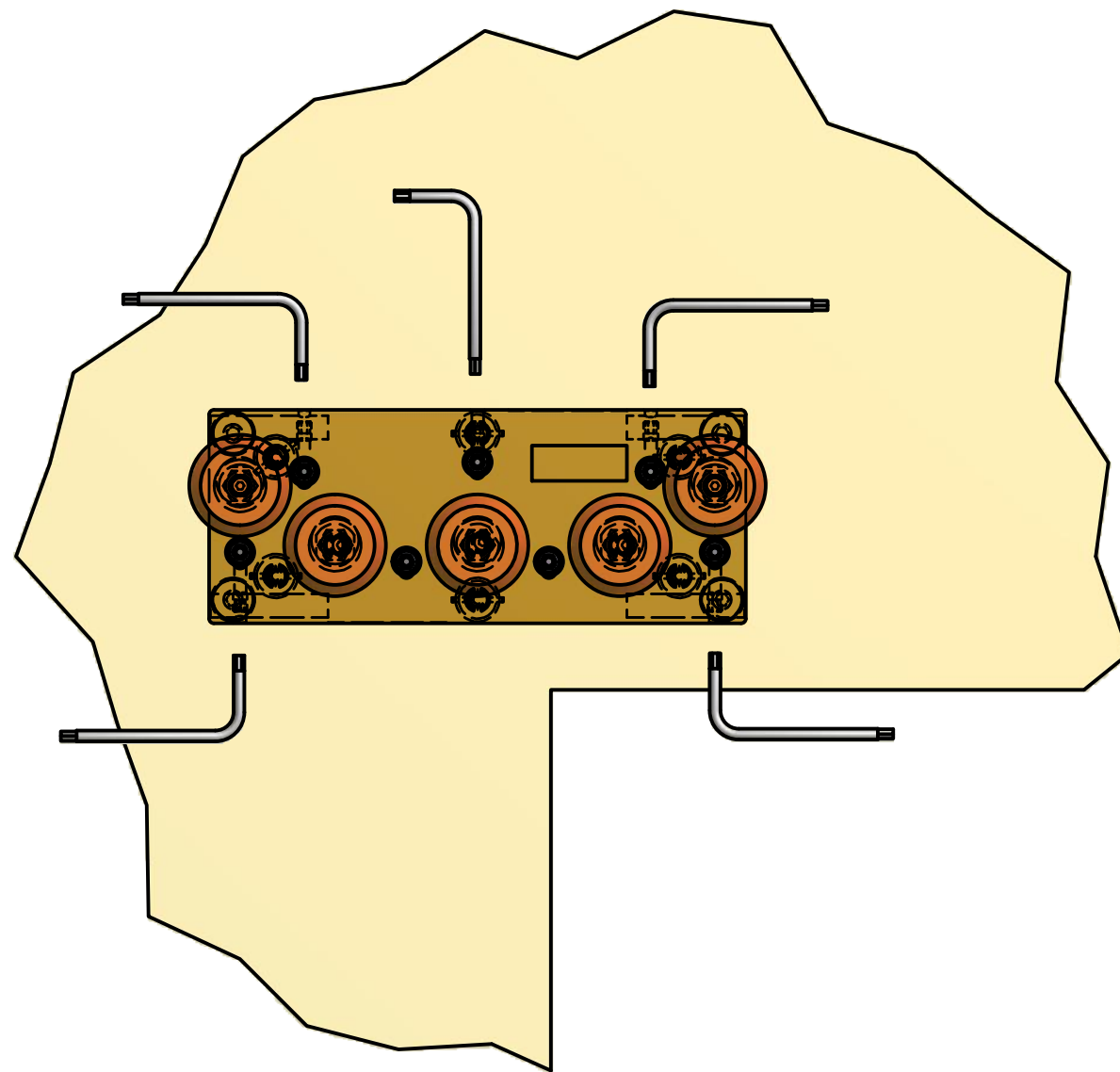
x7
cod. 2.6520741.02



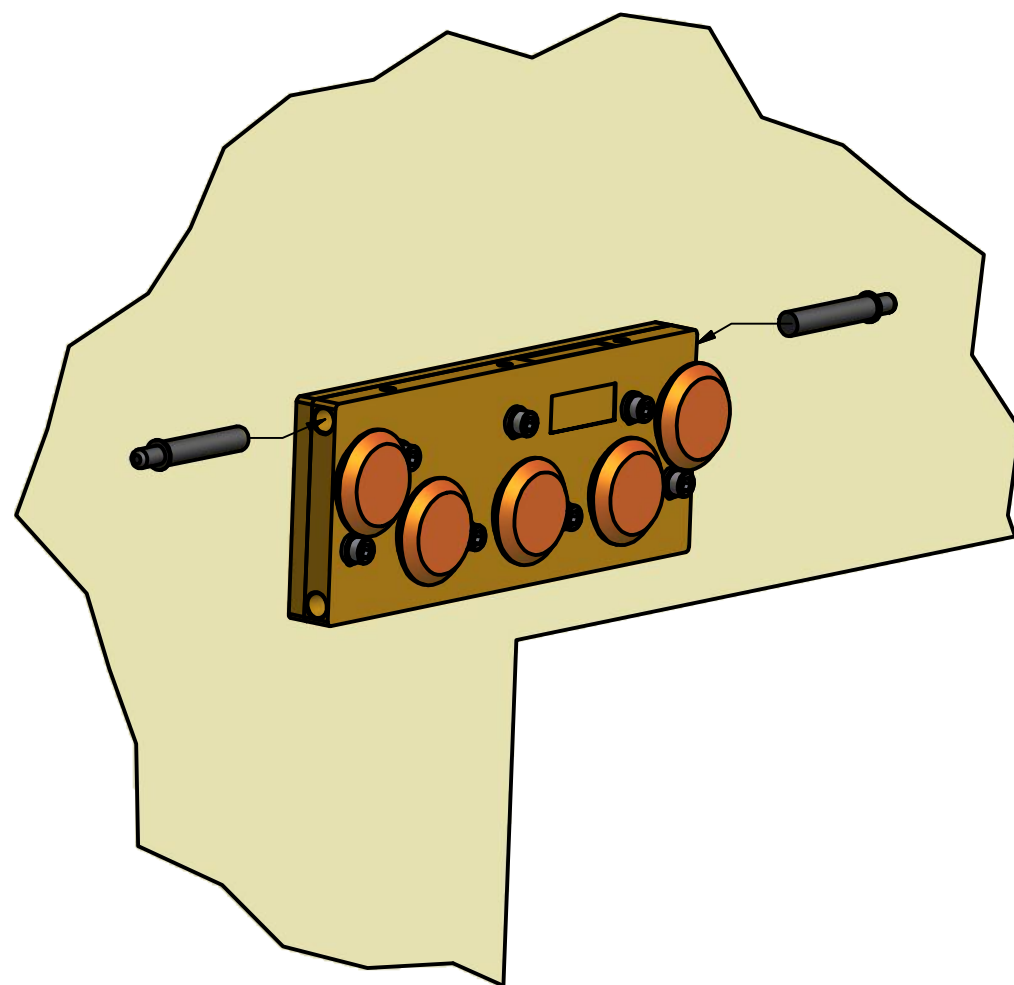
x7
cod. 2.653041.02



**MOUNT THE PLATE WITH BEARING,
PERFECTLY ALIGNED,
WITH THE COUNTER-PLATE.
USE N°7 WASHERS
AND LITTLE FIX N°7 SCREWS M6x20
FOR NEXT SEQUENCE.**



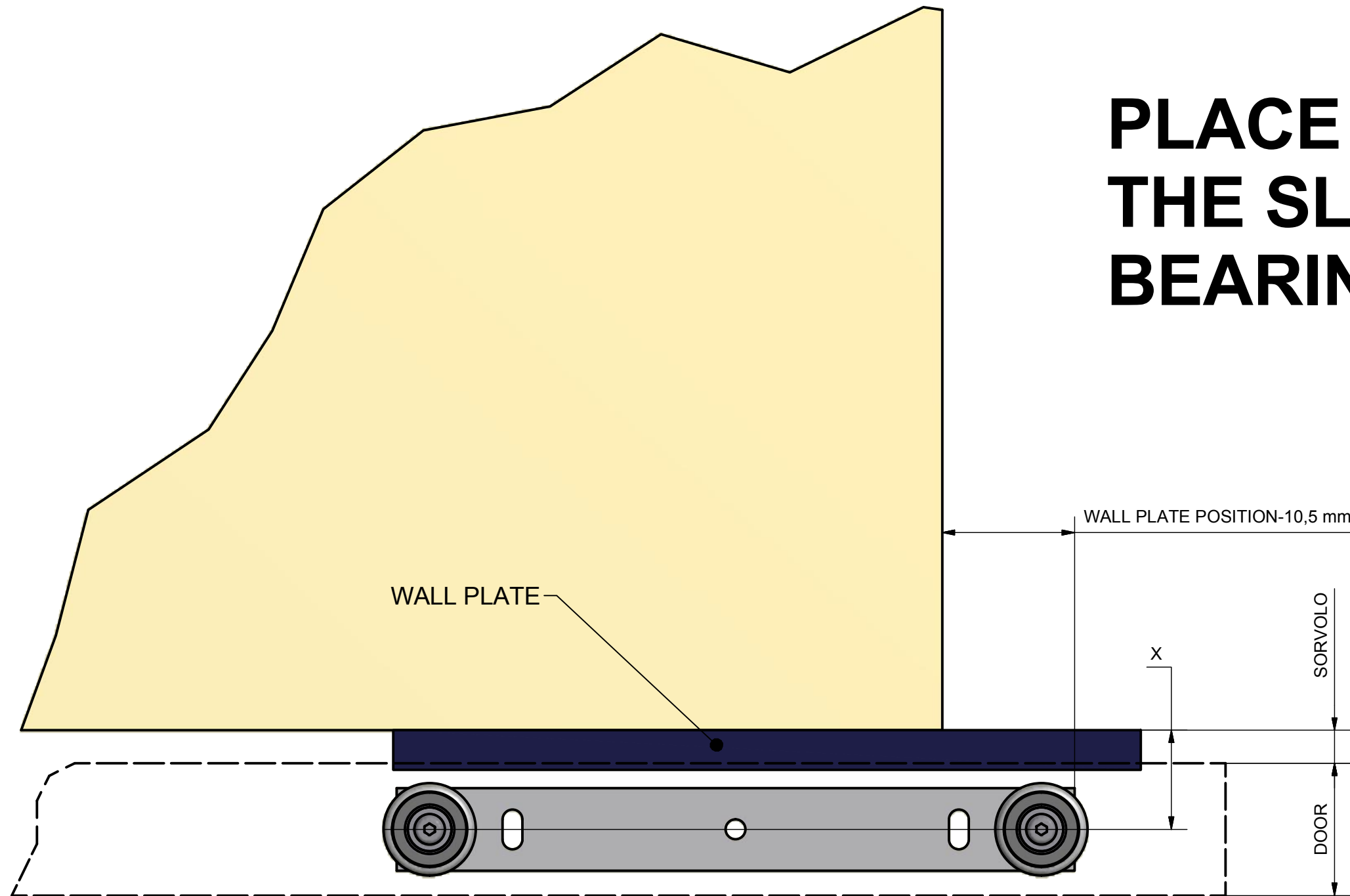
**PAYING ATTENTION THAT, THE
PLATE WITH BEARING, IS
PERFECTLY ALIGNED,
OTHERWISE ADJUST THE N°7
SCREWS M6x20 AND FINALLY
TIGHTEN.
AT THIS POINT BLOCK N°5
GRAIN AGAINST THE SCREWS
TO AVOID THE UNSCREWING.**



x2
cod. 2.6518274.02

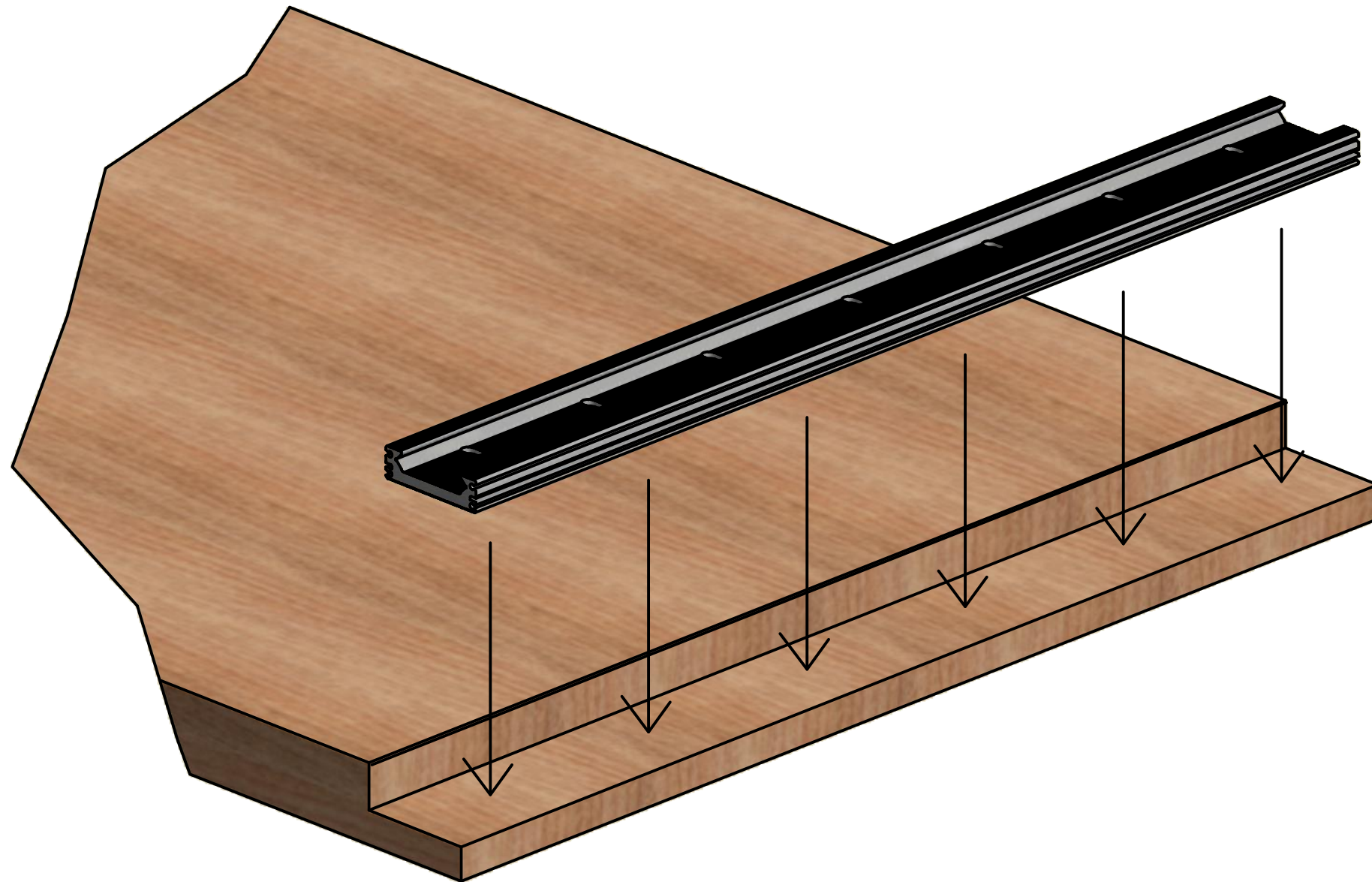
**INSERT N°2
BLUEMOTION.**

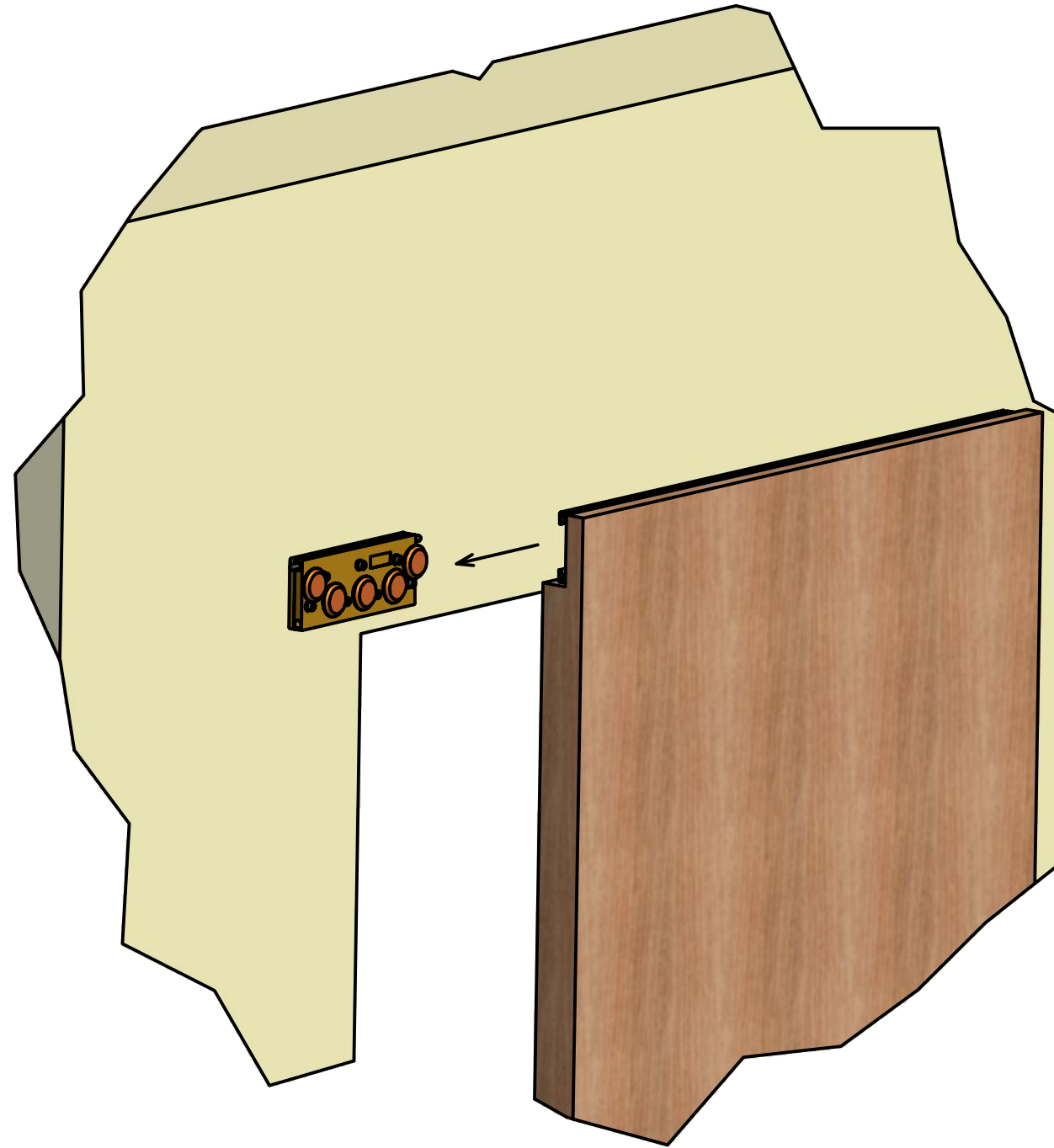
**PLACE AT FLOOR
THE SLIDE WITH
BEARINGS.**



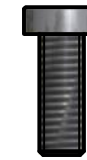
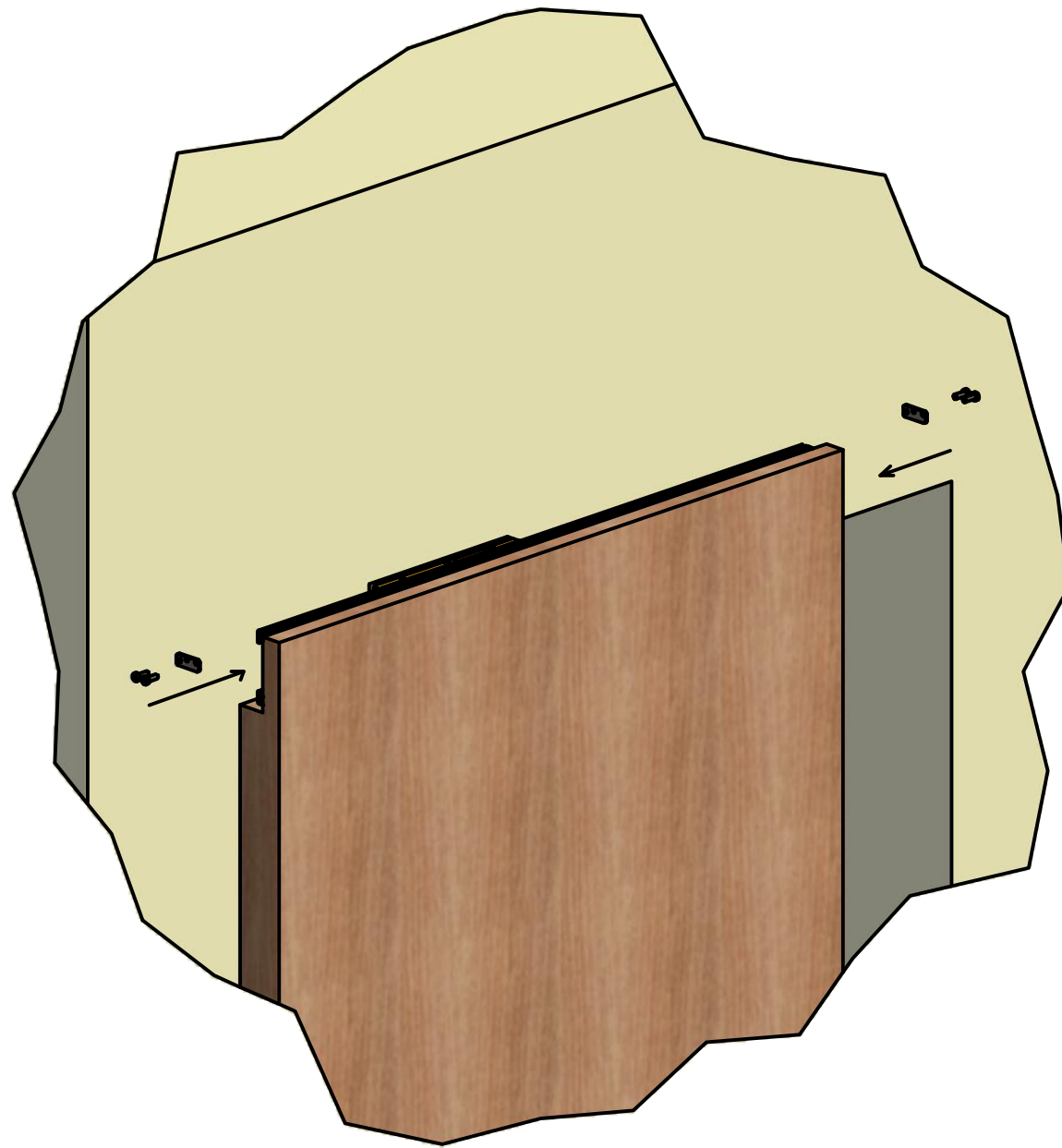
DOOR/SORVOLO	"X" VALUE									
	10	11	12	13	14	15	16	17	18	
40	30	31	32	33	34	35	36	37	38	
45	32,5	33,5	34,5	35,5	36,5	37,5	38,5	39,5	40,5	
50	35	36	37	38	39	40	41	42	43	
55	37,5	38,5	39,5	40,5	41,5	42,5	43,5	44,5	45,5	
60	40	41	42	43	44	45	46	47	48	

**MOUNT THE SLIDE
ON THE DOOR.**





**INSERT SLIDE, MOUNTED
ON DOOR, ON THE
BEARINGS AND PUSH TO
WHAT IS CENTERED.**



x4
COD. 2.6522401.02



x2
COD. 2.6523411.02

**PLACING N°2 STOP
AND SECURE THEM WITH
THEIR SELF-THREADING
SCREWS M5x16.**