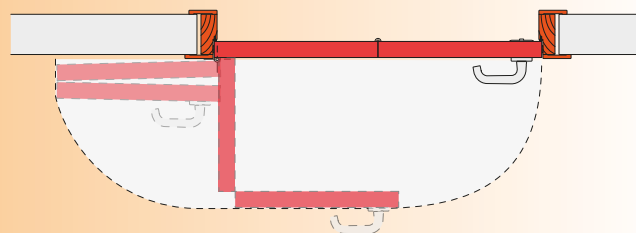
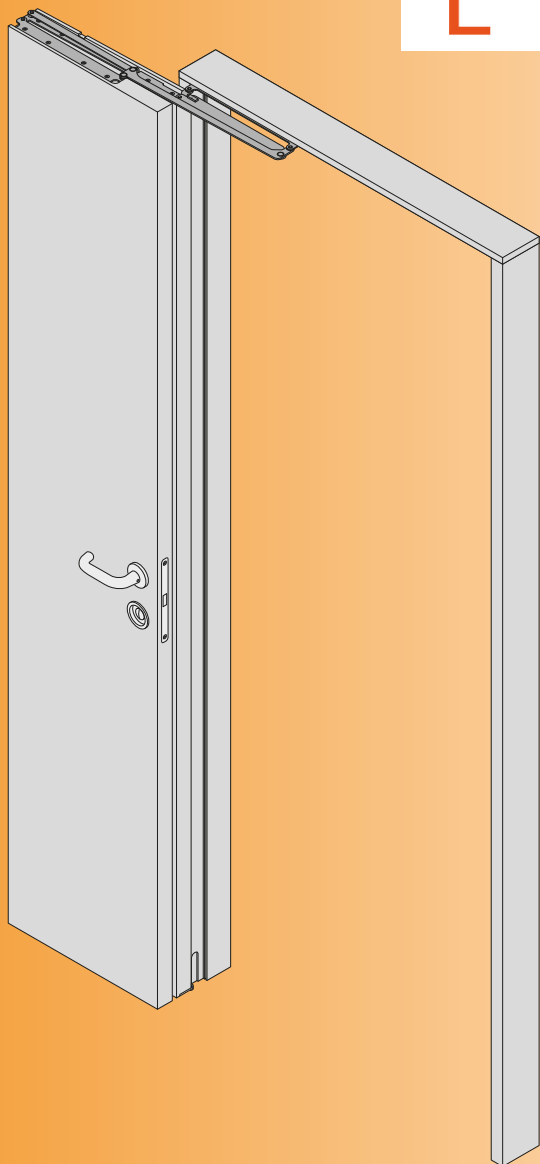


# COMPACK <sup>®</sup> 180°

## L I V I N G



## TECHNICAL CONSTRUCTION MANUAL

### COMPACK LIVING 180° system

CELEGON S.r.l. - Via G. Galilei, 6 - 30035 Mirano (Venezia) - T +39 (0)41 5728404 - F +39 (0)41 5728522  
[www.compackliving.com](http://www.compackliving.com) - [info@compactliving.com](mailto:info@compactliving.com)

## CONTENTS

---

<b>1. INTRODUCTION .....</b>	<b>3</b>
<b>2. COMPATIBILITY OF THE COMPACT LIVING SYSTEM .....</b>	<b>4</b>
<b>3. USE VARIANTS .....</b>	<b>5</b>
3.1 Hardware .....	6
3.2 Vertical section .....	7
3.3 Horizontal section left door .....	8
3.4 Dimensional diagram of the door - symmetric leaves (Version 1) .....	9
3.5 Dimensional diagram of the door - asymmetric leaves (Version 2).....	10
3.6 Dimensional diagram of the door - asymmetric leaves (Version 3).....	11
<b>4. DIMENSIONAL SUMMARIES .....</b>	<b>12</b>
4.1 Single opening door .....	12
4.2 Dimensional diagram of the double opening door .....	13
4.3 COMPACT LIVING 180° - 90° combination possibilities on double doors.....	14
4.4 Double opening door .....	15
4.5 Dimensional drawing for a 3-leaf single door .....	16
4.6 Dimensional drawing for a 3-leaf double door.....	20
<b>5. COMPONENTS .....</b>	<b>21</b>
5.1 Wood components compatible with COMPACT LIVING 90° .....	21
5.2 Door leaf hinge side (compatible with COMPACT LIVING 90°).....	22
5.3 Door leaf handle side (compatible with COMPACT LIVING 90°) .....	23
5.4 Workings for accessories (compatible with COMPACT LIVING 90°).....	24
5.5 Door hardware mounting hole diagrams (compatible with COMPACT LIVING 90°).....	25
5.6 Hinge side door jamb (compatible with COMPACT LIVING 90°) .....	26
5.7 Handle side door jamb (compatible with COMPACT LIVING 90°) .....	27
5.8 Upper crossbeam (compatible with COMPACT LIVING 90°) .....	28
<b>6. ASSEMBLY .....</b>	<b>29</b>
6.1 Assembling the hardware on the leaf .....	29
6.2 Assembling the hardware on the jamb.....	30
6.3 Installation door leaf on the jambs .....	31
<b>7. ADDITIONAL DOORSTOP ADJUSTMENT .....</b>	<b>32</b>
<b>8. SPECIAL COMPACT LIVING MAGNETIC LATCH.....</b>	<b>33</b>
8.1 Examples for using the special COMPACT LIVING lock .....	34

The company reserved the right to make, at any time, without prior notice, all technical changes it considers appropriate to improve the quality and the correct functionality of the products.

All contents of this manual are covered by copyright.

It's forbidden even partial reproduction of text and drawings, without prior written permission of Celegon s.r.l.. Any abuse will be prosecuted according to law.

All right reserved - Duplication or divulgation without authorization is strictly forbidden.

## **1. INTRODUCTION**

The **COMPACK LIVING 180°** system opens up new possibilities in interior design. Thanks to its reduced space requirements, silent operation and acoustic insulation properties, **COMPACK LIVING 180°** offers an alternative to traditional swing doors, doors that slide into or along the wall, accordion doors, and rototranslating doors. Furthermore, **COMPACK LIVING 180°** may be applied to moveable walls and closets.

The **COMPACK LIVING 180°** system, installed between the top edge of the leaf and the lintel, makes it possible to confine the movement of the door leaf to one side of the wall and thus to recover usable space.

The **COMPACK LIVING** systems are designed for extreme simplicity and speed of installation.

There are no height or width constraints for the **COMPACK LIVING** systems. **The combined weight limit** for the two leaves is 50 kg. **The maximum** door leaf thickness depends on frame thickness (see paragraphs 3.2 and 3.3).

**COMPACK LIVING 180°** uses either traditional door latches (for use with paired lever handles or knobs) or a special **COMPACK** magnetic latch (for a lever handle on one side and a recessed handle on the other). With the **COMPACK** latch the recessed handle can be used to operate the latch. This system provides 180° rotation (see Section 8. *SPECIAL COMPACK MAGNETIC LATCH*).

The **COMPACK LIVING** systems provide stable, silent and ergonomic door operation. Stop on three sides ensures excellent acoustic insulation when the door is closed. These systems leave maximum technical and aesthetic freedom in designing the door. Doors can be constructed in various versions to respond to the countless customer needs and to fit oversized dimensions.

The **COMPACK LIVING** systems are composed of steel plates and arms connected together by steel pins and plastic O-rings.

*The door leaves are prepared in the same way for 90° or 180° opening. The same stock of semi-finished materials (doors leaves) and same preparatory work (milling, drilling) allow installation either of the COMPACK LIVING 90° hinge for a door opening to 90° or the COMPACK LIVING 180° hinge for a door opening to 180°.*

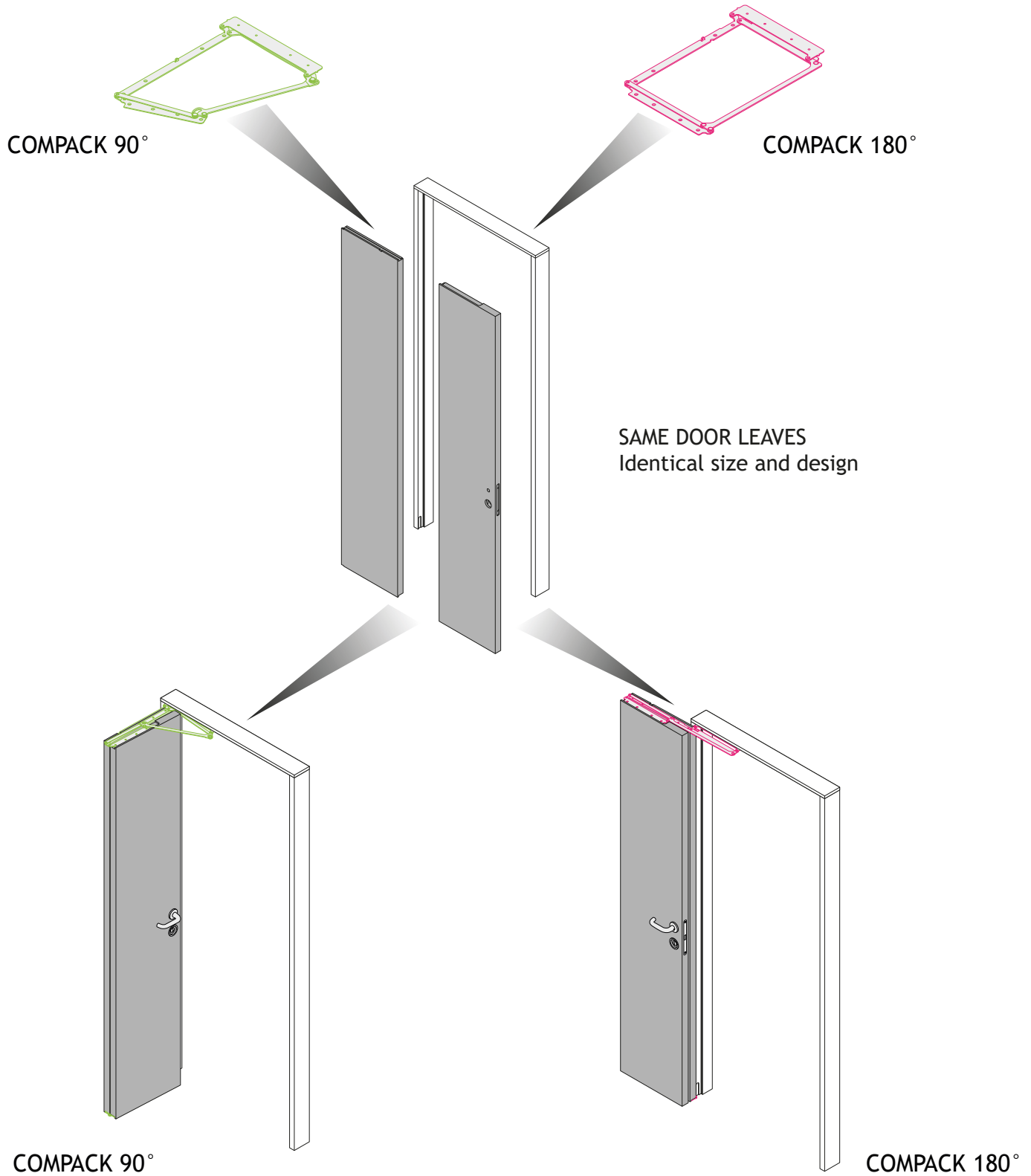


***The hardware is cleaned using a soft cloth being careful not to move the door during the cleaning process to prevent injury.***

***Never put your hands in among the moving arms when installing or operating the door.***

**Give the information sheets including in the package to the final user.**

## 2. COMPATIBILITY OF THE COMPACK LIVING SYSTEM

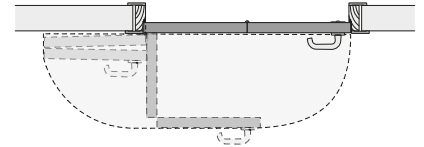


### 3. USE VARIANTS

To get the most out of the variants illustrated on this page, see the specifications for using the COMPACK latch (see Section 8. SPECIAL COMPACK LIVING MAGNETIC LATCH).

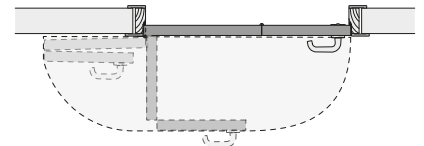
- **Version 1**  
**Symmetric door leaves**

By using the handle only on one side and the recessed handle on the other, is necessary to apply the magnetic lock **COMPACK**.  
Version possible with all available items RIGHT/LEFT.



- **Version 2**  
**Asymmetric door leaves with handle leaf from -50 to 0 lower**

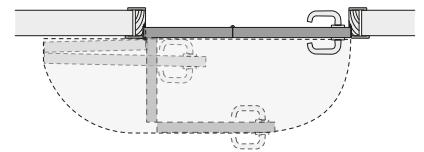
By using the handle only on one side and the recessed handle on the other, is necessary to apply the magnetic lock **COMPACK**.  
Version possible with all available items RIGHT/LEFT.



- **Version 3**  
**Asymmetric door leaves with handle leaf from 0 to +200 larger**

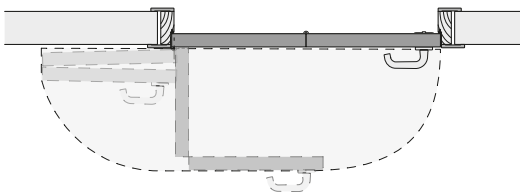
By using the handle only on one side and the recessed handle on the other, is necessary to apply the magnetic lock **COMPACK**. When you decide to use a pair of handles or knobs, you can use a traditional lock.

Version possible with all available items RIGHT/LEFT.

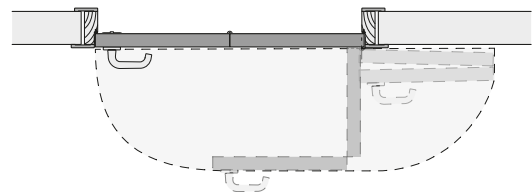


#### WAY OF OPENING

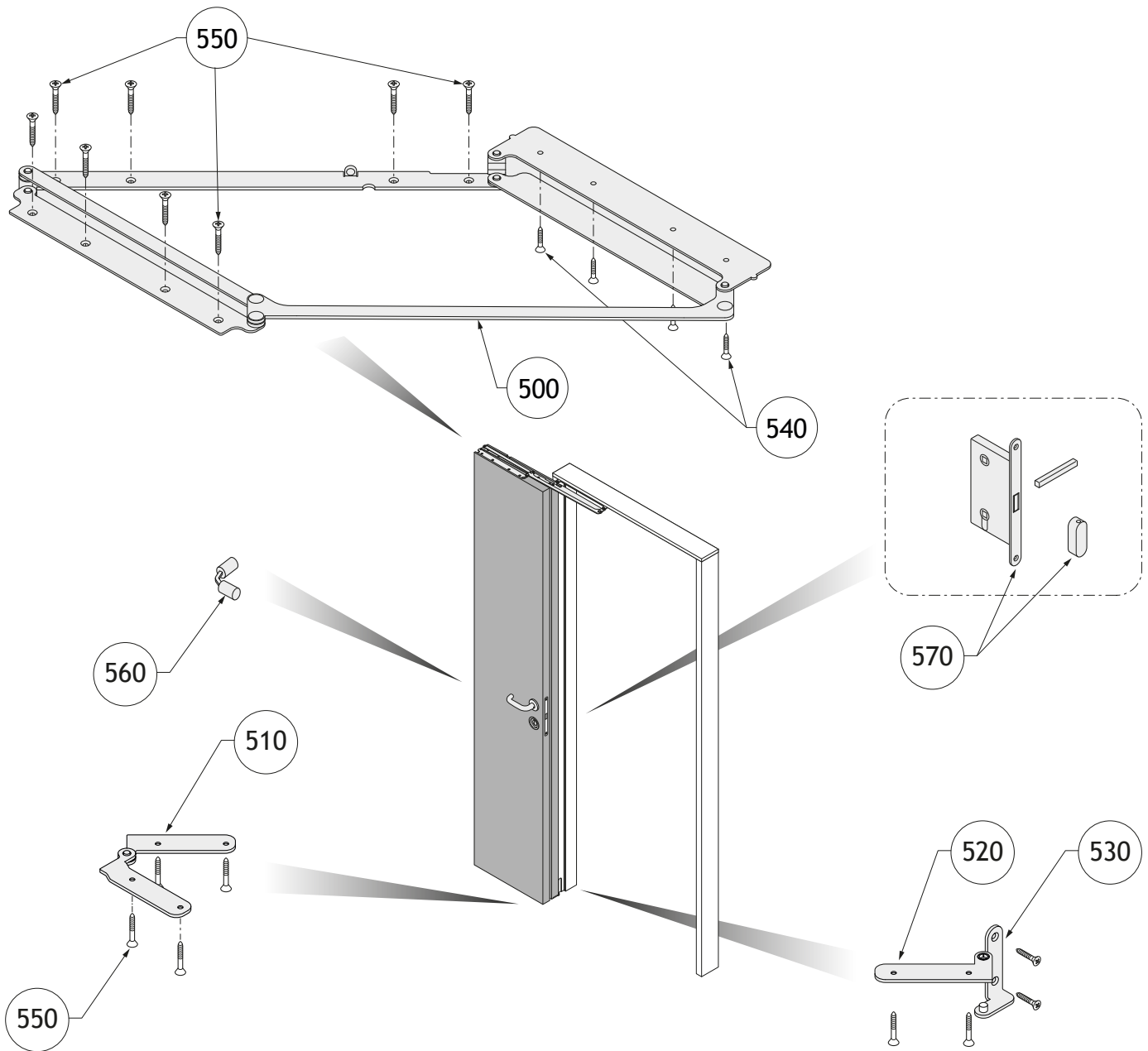
##### 1 - Left opening



##### 2 - Right opening

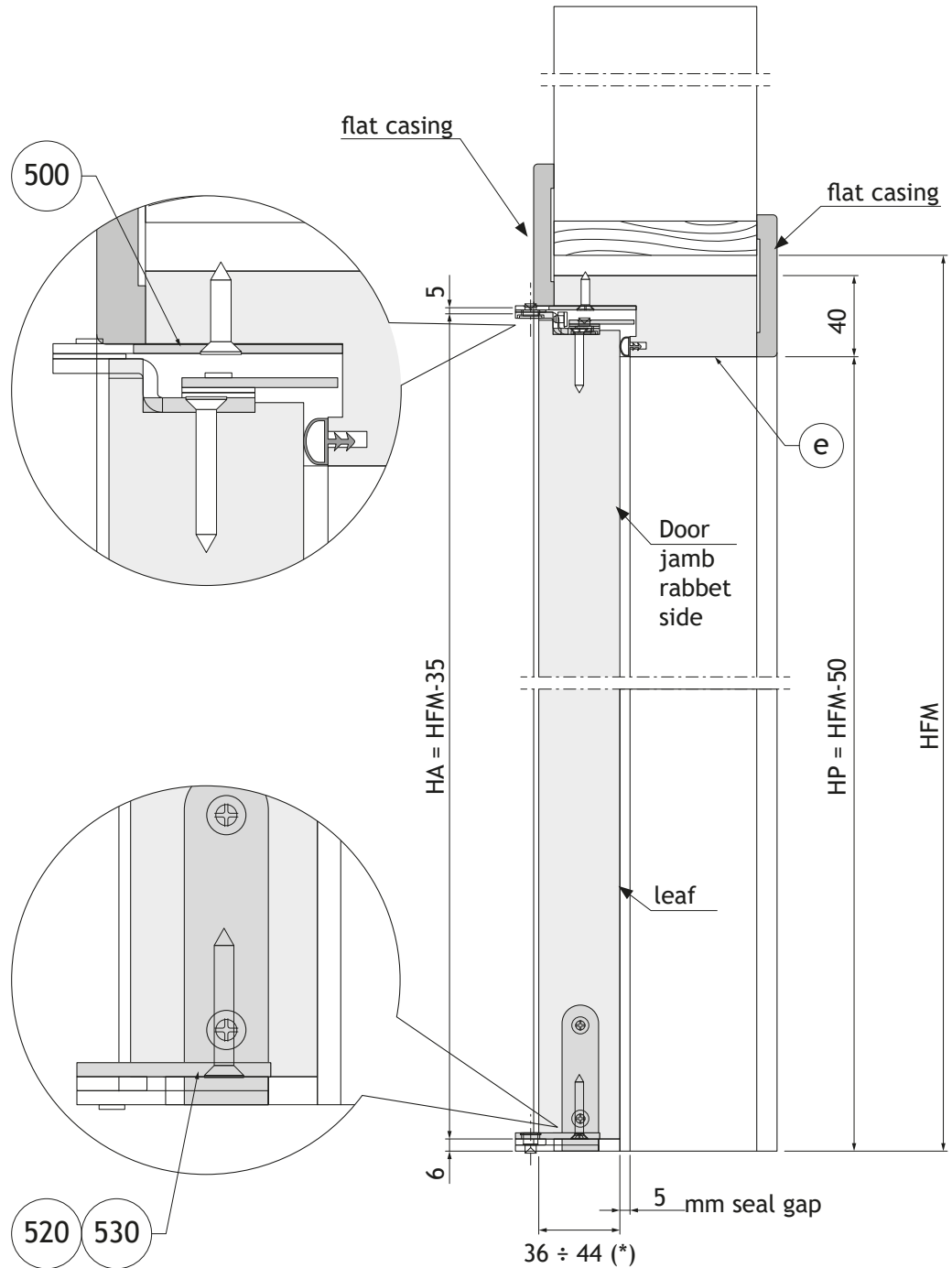


### 3.1 Hardware



Part list		
Ref.	Q.ty	Description
500	1	Compack Living system RH or LH
510	1	Central hinge lower
520	1	Lateral hinge lower for leaf RH or LH
530	1	Lateral hinge lower for jamb RH or LH
540	4	Screw TSP trx ø 4x20
550	16	Screw TSP trx ø 4x30
560	1	Invisible hinge for alignment leaves
570	1	Magnetic lock Compack Living with strikers and special square spindle (optional)

### 3.2 Vertical section

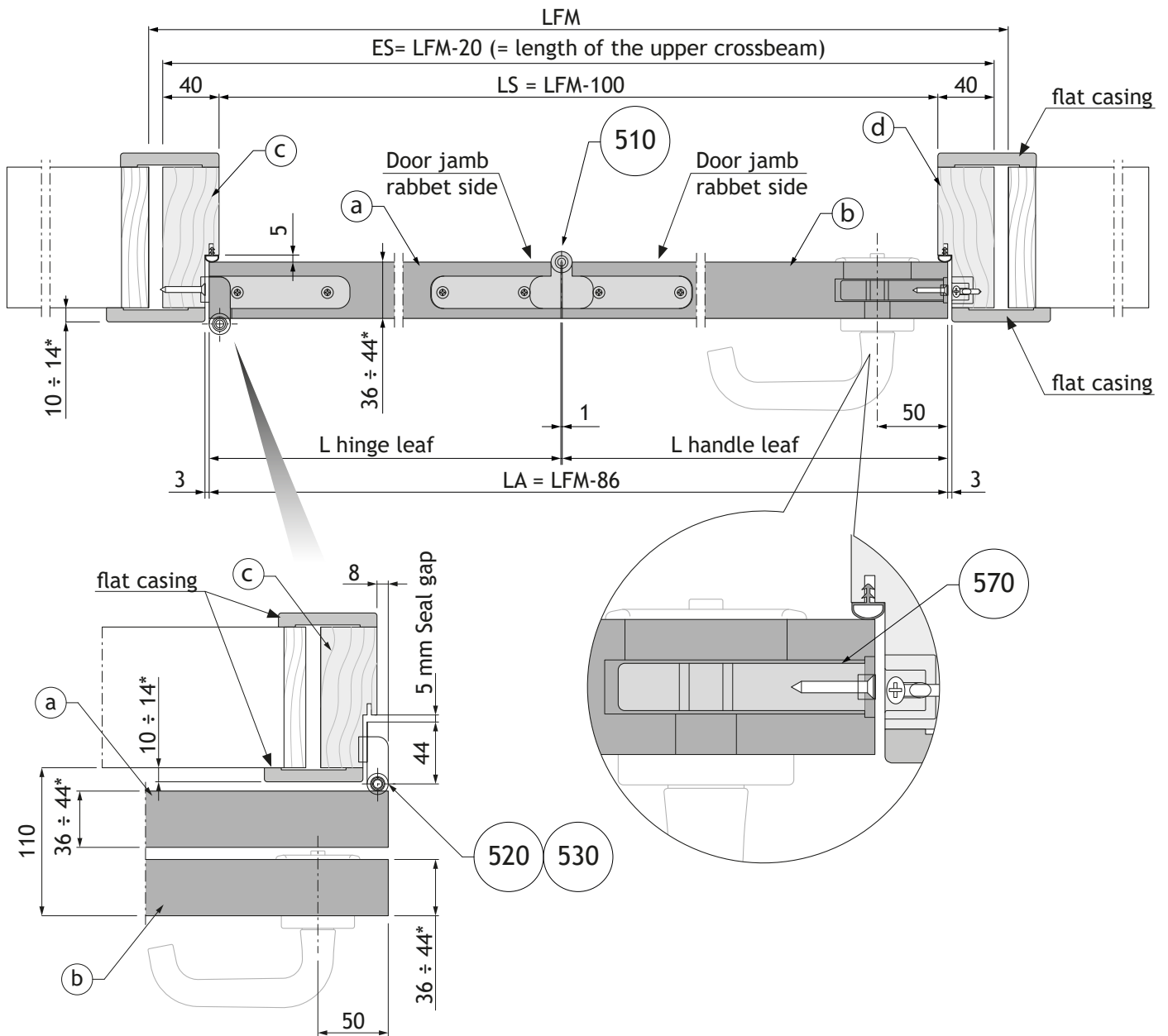


**HFM** = Wall Hole Height  
**HP** = Passage Dimension  
**HA** = Leaf Height

(*) Leaf/track cover moulding thickness ratio		Part list		
leaf thickness	flat casing thickness	Ref.	Q.ty	Description
36 ÷ 40	10 ÷ 14	500	1	Compack Living 180 system RH or LH
42	10 ÷ 12	520	1	Lateral hinge lower for leaf RH or LH
44	10	530	1	Lateral hinge lower for jamb RH or LH
		e	1	Upper crossbeam

### 3.3 Horizontal section left door

Example of Left Door (*Right door is symmetric*)



- LFM = Wall Hole Width
- ES = Outer Jamb
- LS = Door Jamb Opening
- LA = Leaf Width

(\*) Leaf/track cover moulding thickness ratio

leaf thickness	flat casing thickness
36 ÷ 40	10 ÷ 14
42	10 ÷ 12
44	10

Part list		
Ref.	Q.ty	Description
510	1	Central hinge lower
520	1	Lateral hinge lower for leaf RH or LH
530	1	Lateral hinge lower for jamb RH or LH
570	1	Magnetic lock Compack Living with strikers and special square spindle (optional)
a	1	Hinge leaf
b	1	Handle leaf
c	1	Hinge side door jamb
d	1	Handle side door jamb

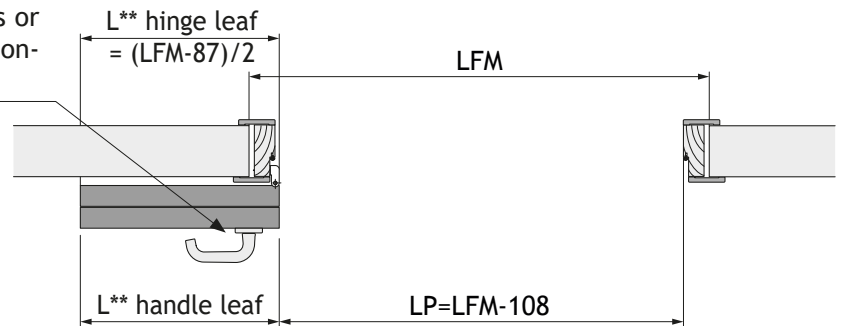


**3.4 Dimensional diagram of the door - symmetric leaves (Version 1)**

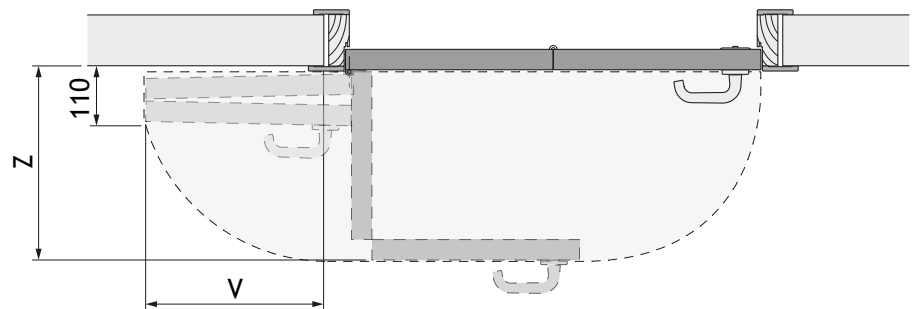
Version 1 - symmetric leaves							
LFM	LP	L** hinge leaf	L** handle leaf	Z	V	art. COMPACK	
700	592	306,5	306,5	355	250	800F60DX	800F60SX
800	692	356,5	356,5	405	300	800F70DX	800F70SX
900	792	406,5	406,5	455	350	800A80DX	800A80SX
1000	892	456,5	456,5	505	400	800B90DX	800B90SX
1100	992	506,5	506,5	555	450	800B100DX	800B100SX

It's possible to use the pair of handles or traditional knobs by adjusting the secondary stop (see chapter 7)

- LFM** = Wall Hole Width
- LP** = Passage Dimension
- Z** = Encumbrance in opening
- V** = Encumbrance on the wall

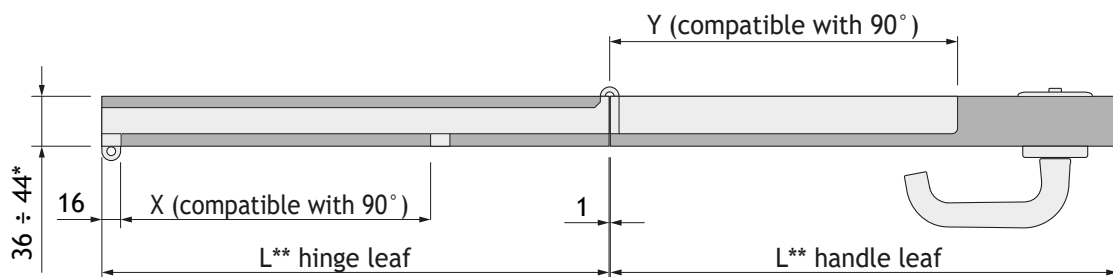


**Example of Left Door**  
(Right door is symmetric)



Upper hardware seat diagram (see chapter 4. DIMENSIONAL SUMMARIES)

Version 1 - symmetric leaves					
art. COMPACK		L** hinge leaf	dimension X	L** handle leaf	dimension Y
800F60DX	800F60SX	306,5	208	306,5	234
800F70DX	800F70SX	356,5	208	356,5	234
800A80DX	800A80SX	406,5	258	406,5	284
800B90DX	800B90SX	456,5	358	456,5	384
800B100DX	800B100SX	506,5	358	506,5	384



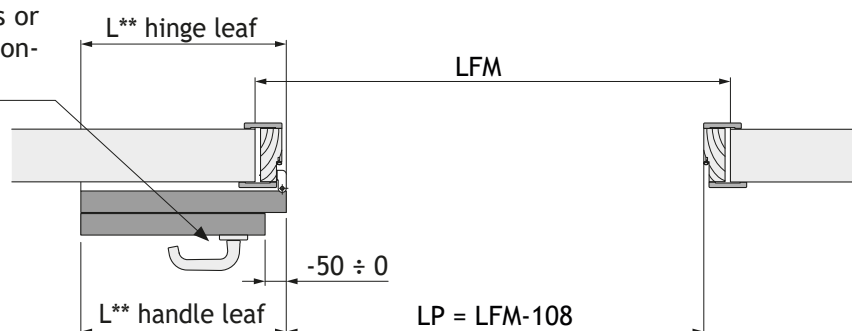
(\*\*) Hinge leaf and handle leaf widths are calculated with a reciprocal distance of 1 mm.

### 3.5 Dimensional diagram of the door - asymmetric leaves (Version 2)

#### Handle leaf from -50 to 0 larger

Version 2 - asymmetric leaves (handle leaf from -50 to 0 larger)							
LFM	LP	L** hinge leaf	L** handle leaf	Z	V	art. COMPACK	
650 ÷ 700	542 ÷ 592	306,5	256,5 ÷ 306,5	355	250	800F60DX	800F60SX
750 ÷ 800	642 ÷ 692	356,5	306,5 ÷ 356,5	405	300	800F70DX	800F70SX
850 ÷ 900	742 ÷ 792	406,5	356,5 ÷ 406,5	455	350	800A80DX	800A80SX
950 ÷ 1000	842 ÷ 892	456,5	406,5 ÷ 456,5	505	400	800B90DX	800B90SX
1050 ÷ 1100	942 ÷ 992	506,5	456,5 ÷ 506,5	555	800B100DX	800B100SX	

It's possible to use the pair of handles or traditional knobs by adjusting the secondary stop (see chapter 7)



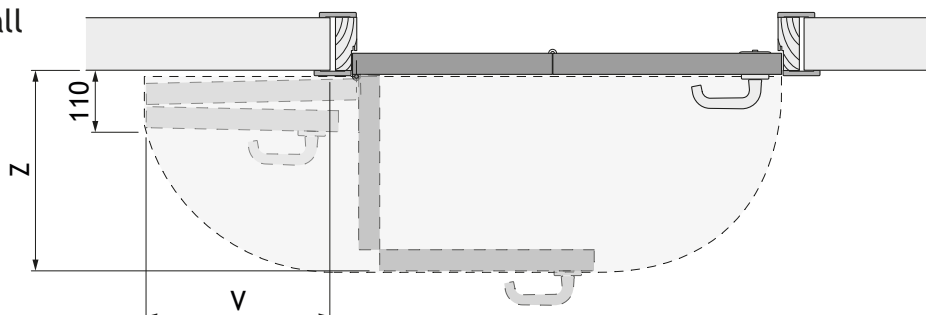
LFM = Wall Hole Width

LP = Passage Dimension

Z = Encumbrance in opening

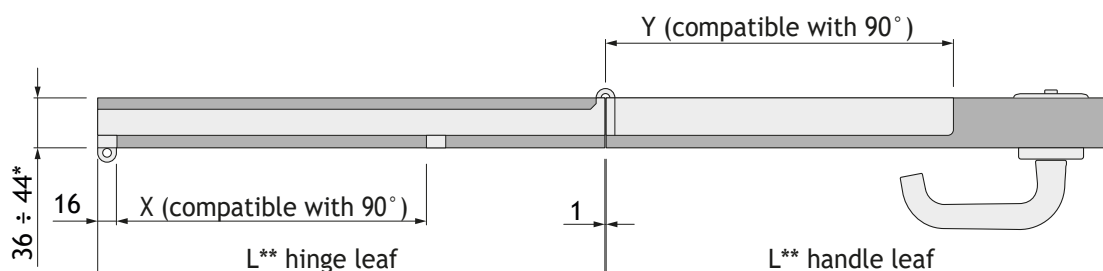
V = Encumbrance on the wall

Example of Left Door  
(Right door is symmetric)



Upper hardware seat diagram (see chapter 4. DIMENSIONAL SUMMARIES)

Version 2 - asymmetric leaves (handle leaf from -50 to 0 larger)					
art. COMPACK		L** hinge leaf	dimension X	L** handle leaf	dimension Y
800F60DX	800F60SX	306,5	208	256,5 ÷ 306,5	234
800F70DX	800F70SX	356,5	208	306,5 ÷ 356,5	234
800A80DX	800A80SX	406,5	258	356,5 ÷ 406,5	284
800B90DX	800B90SX	456,5	358	406,5 ÷ 456,5	384
800B100DX	800B100SX	506,5	358	456,5 ÷ 506,5	384



(\*\*) Hinge leaf and handle leaf widths are calculated with a reciprocal distance of 1 mm.

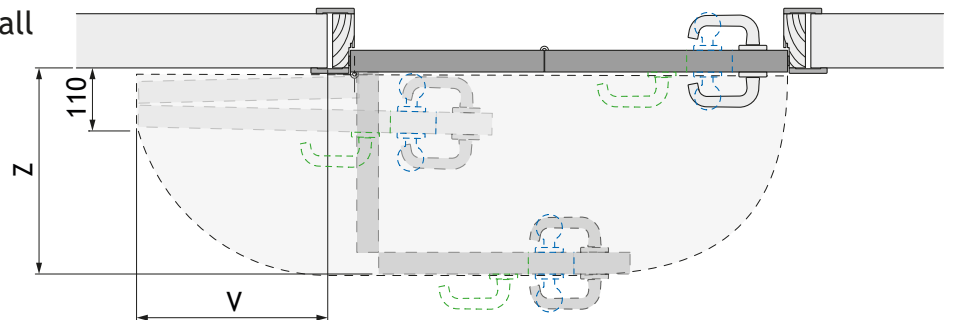
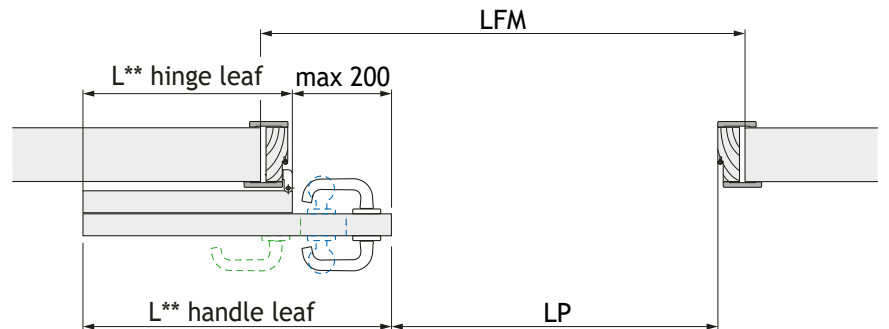
### 3.6 Dimensional diagram of the door - asymmetric leaves (Version 3)

#### Handle leaf from 0 to +200 lower

Version 3 - asymmetric leaves (handle leaf from 0 to +200 lower)							
LFM	LP	L** hinge leaf	L** handle leaf	Z	V	art. COMPACT	
700 ÷ 900	592	306,5	306,5 ÷ 506,5	355	250	800F60DX	800F60SX
800 ÷ 1000	692	356,5	356,5 ÷ 556,5	405	300	800F70DX	800F70SX
900 ÷ 1100	792	406,5	406,5 ÷ 606,5	455	350	800A80DX	800A80SX
1000 ÷ 1200	892	456,5	456,5 ÷ 656,5	505	400	800B90DX	800B90SX
1100 ÷ 1300	992	506,5	506,5 ÷ 706,5	555	450	800B100DX	800B100SX

This variant also allows using a double handle or a double knob with a traditional lock, when the door's protrusion allows this.

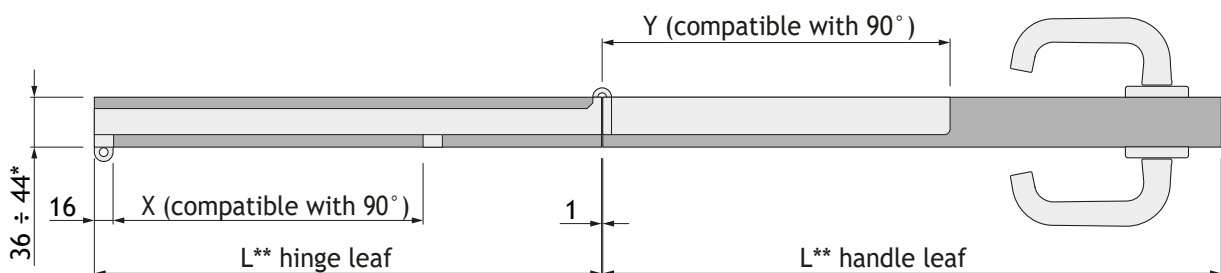
- LFM** = Wall Hole Width
- LP** = Passage Dimension
- Z** = Encumbrance in opening
- V** = Encumbrance on the wall



**Example of Left Door**  
(Right door is symmetric)

Upper hardware seat diagram (see chapter 4. DIMENSIONAL SUMMARIES)

Version 3 - asymmetric leaves (handle leaf from 0 to +200 lower)					
art. COMPACT		L** hinge leaf	dimension X	L** handle leaf	dimension Y
800F60DX	800F60SX	306,5	208	306,5 ÷ 506,5	234
800F70DX	800F70SX	356,5	208	356,5 ÷ 556,5	234
800A80DX	800A80SX	406,5	258	406,5 ÷ 606,5	284
800B90DX	800B90SX	456,5	358	456,5 ÷ 656,5	384
800B100DX	800B100SX	506,5	358	506,5 ÷ 706,5	384



(\*\*) Hinge leaf and handle leaf widths are calculated with a reciprocal distance of 1 mm.

## 4. DIMENSIONAL SUMMARIES

### 4.1 Single opening door

The following form is a summary all of possible realizable dimensions with the measurements. The **COMPACK LIVING 180°** system foresee a minimum wall opening (**LFM**) of 700 mm with symmetric leaves and of 650 mm with asymmetric leaves.

The maximum wall opening (**LFM**) with symmetric leaves is 1100 mm.

For measurements of **LFM** larger than 1100 mm is necessary to increase the dimensions of the handle door leaf.

#### Summary dimensions for single opening door

##### Version 1 - symmetric leaves

Wall Hole Width LFM	Passage Dimension LP	Fix Dimension L** hinge leaf	Working dimension x	Variable Dimension L** handle leaf	Working dimension y	Encumbrance in opening Z	Encumbrance on the wall V	art. COMPACK	
700	592	306,5	208	306,5	234	355	250	800F60DX	800F60SX
800	692	356,5	208	356,5	234	405	300	800F70DX	800F70SX
900	792	406,5	258	406,5	284	455	350	800A80DX	800A80SX
1000	892	456,5	358	456,5	384	505	400	800B90DX	800B90SX
1100	992	506,5	358	506,5	384	555	450	800B100DX	800B100SX

##### Version 2 - asymmetric leaves (handle leaf from -50 to 0 lower)

Wall Hole Width LFM	Passage Dimension LP	Fix Dimension L** hinge leaf	Working dimension x	Variable Dimension L** handle leaf	Working dimension y	Encumbrance in opening Z	Encumbrance on the wall V	art. COMPACK	
650 ÷ 700	542 ÷ 592	306,5	208	256,5 ÷ 306,5	234	355	250	800F60DX	800F60SX
750 ÷ 800	642 ÷ 692	356,5	208	306,5 ÷ 356,5	234	405	300	800F70DX	800F70SX
850 ÷ 900	742 ÷ 792	406,5	258	356,5 ÷ 406,5	284	455	350	800A80DX	800A80SX
950 ÷ 1000	842 ÷ 892	456,5	358	406,5 ÷ 456,5	384	505	400	800B90DX	800B90SX
1050 ÷ 1100	942 ÷ 992	506,5	358	456,5 ÷ 506,5	384	555	450	800B100DX	800B100SX

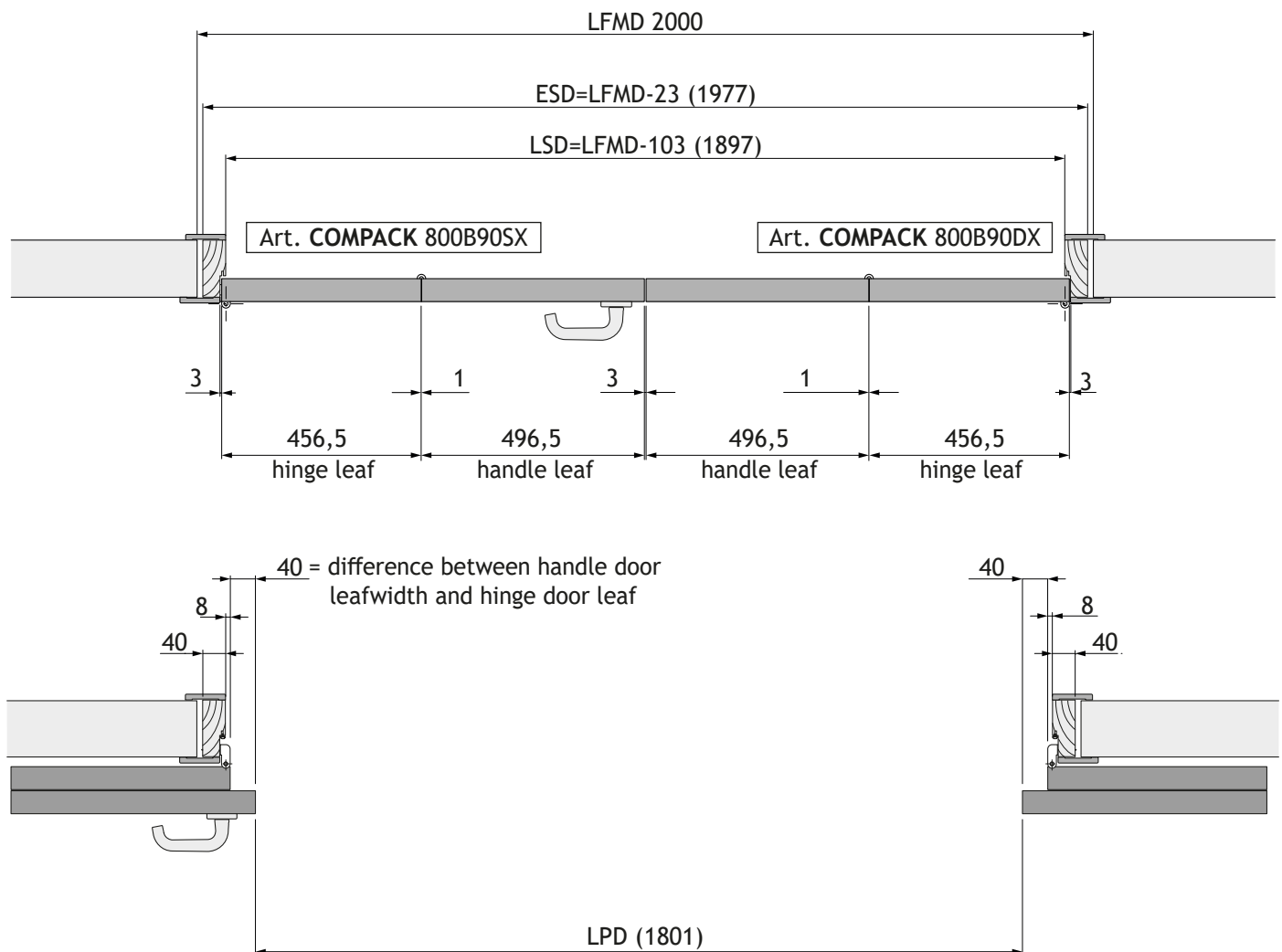
##### Version 3 - asymmetric leaves (handle leaf from 0 to +200 larger)

Wall Hole Width LFM	Passage Dimension LP	Fix Dimension L** hinge leaf	Working dimension x	Variable Dimension L** handle leaf	Working dimension y	Encumbrance in opening Z	Encumbrance on the wall V	art. COMPACK	
700 ÷ 900	592	306,5	208	306,5 ÷ 506,5	234	355	250	800F60DX	800F60SX
800 ÷ 1000	692	356,5	208	356,5 ÷ 556,5	234	405	300	800F70DX	800F70SX
900 ÷ 1100	792	406,5	258	406,5 ÷ 606,5	284	455	350	800A80DX	800A80SX
1000 ÷ 1200	892	456,5	358	456,5 ÷ 656,5	384	505	400	800B90DX	800B90SX
1100 ÷ 1300	992	506,5	358	506,5 ÷ 706,5	384	555	450	800B100DX	800B100SX

## 4.2 Dimensional diagram of the double opening door

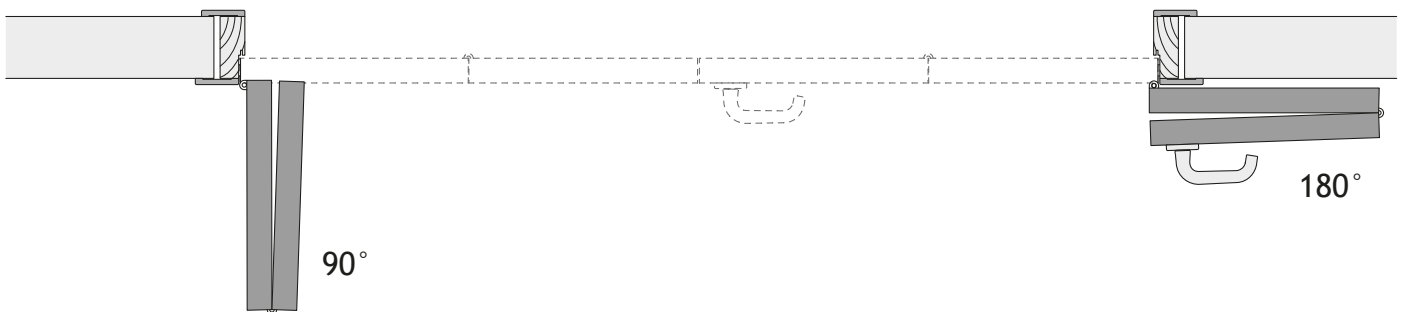
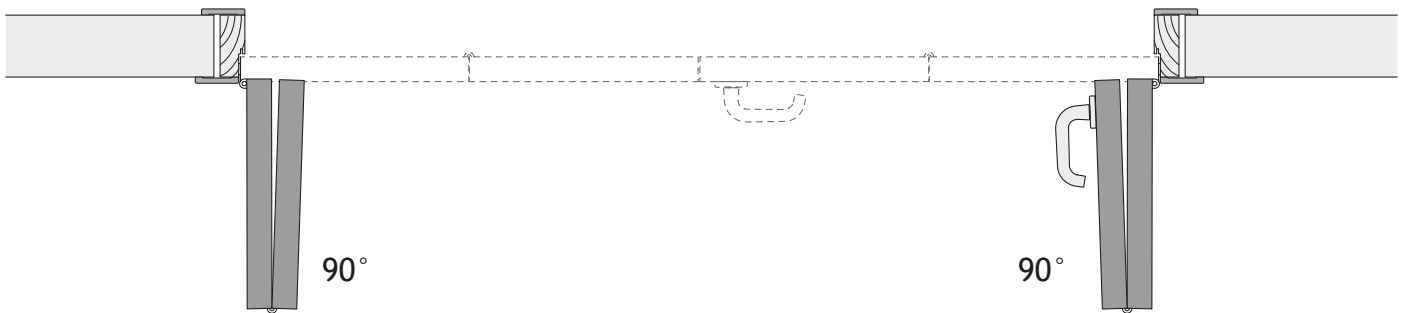
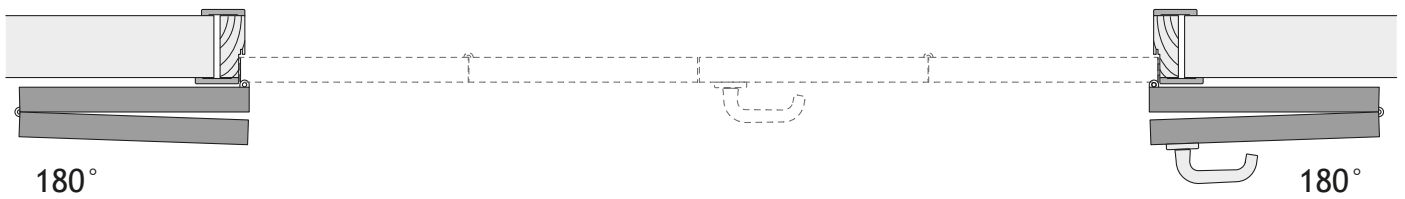
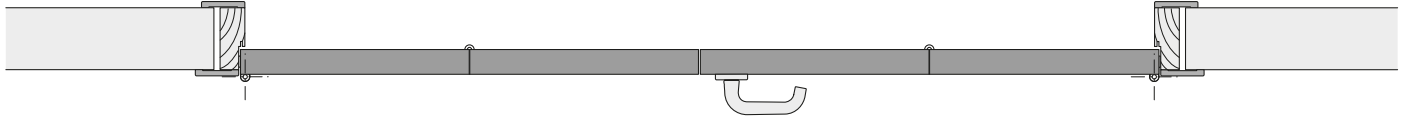
### Dimensional example

**Attention:** you need to use two hardwares COMPACK LIVING, one right and one left.



- LFMD** = Double Wall Opening Width
- ESD** = External Jamb Double (LFMD-23)
- LSD** = Light Jamb Double (LFMD-103)
- LPD** = Width Passage Double Door Leaf

**4.3 COMPACK LIVING 180° - 90° combination possibilities on double doors**



- Possible combinations using the same components in wood

#### 4.4 Double opening door

The following form is a summary all of possible realizable dimensions with the measurements. The **COMPACK LIVING 180°** system foresees a minimum wall opening (**LFM**) of 1320 mm with symmetric leaves and of 1220 mm with asymmetric leaves.

The maximum wall opening (**LFM**) with symmetric leaves is 2120 mm.

For measurements of **LFM** larger than 2120 mm is necessary to increase the dimensions of the handle door leaf.

#### Summary dimensions for double opening door

Version 1 - symmetric leaves									
Wall Hole Width LFM	Passage Dimension LP	Fix Dimension L** hinge leaf	Working dimension x	Variable Dimension L** handle leaf	Working dimension y	Encumbrance in opening Z	Encumbrance on the wall V	art. COMPACK	
1320	1201	306,5	208	306,5	234	355	250	800F60DX	800F60SX
1520	1401	356,5	208	356,5	234	405	300	800F70DX	800F70SX
1720	1601	406,5	258	406,5	284	455	350	800A80DX	800A80SX
1920	1801	456,5	358	456,5	384	505	400	800B90DX	800B90SX
2120	2001	506,5	358	506,5	384	555	450	800B100DX	800B100SX

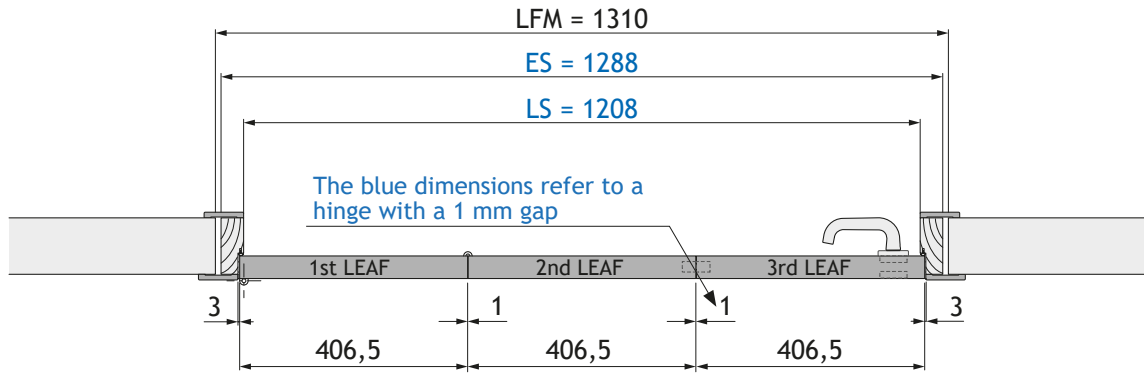
Version 2 - asymmetric leaves (handle leaf from -50 to 0 lower)									
Wall Hole Width LFM	Passage Dimension LP	Fix Dimension L** hinge leaf	Working dimension x	Variable Dimension L** handle leaf	Working dimension y	Encumbrance in opening Z	Encumbrance on the wall V	art. COMPACK	
1220 ÷ 1320	1101 ÷ 1201	306,5	208	256,5 ÷ 306,5	234	355	250	800F60DX	800F60SX
1420 ÷ 1520	1301 ÷ 1401	356,5	208	306,5 ÷ 356,5	234	405	300	800F70DX	800F70SX
1620 ÷ 1720	1501 ÷ 1601	406,5	258	356,5 ÷ 406,5	284	455	350	800A80DX	800A80SX
1820 ÷ 1920	1701 ÷ 1801	456,5	358	406,5 ÷ 456,5	384	505	400	800B90DX	800B90SX
2020 ÷ 2120	1901 ÷ 2001	506,5	358	456,5 ÷ 506,5	384	555	450	800B100DX	800B100SX

Version 3 - asymmetric leaves (handle leaf from 0 to +200 larger)									
Wall Hole Width LFM	Passage Dimension LP	Fix Dimension L** hinge leaf	Working dimension x	Variable Dimension L** handle leaf	Working dimension y	Encumbrance in opening Z	Encumbrance on the wall V	art. COMPACK	
1320 ÷ 1720	1201	306,5	208	306,5 ÷ 506,5	234	355	250	800F60DX	800F60SX
1520 ÷ 1920	1401	356,5	208	356,5 ÷ 556,5	234	405	300	800F70DX	800F70SX
1720 ÷ 2120	1601	406,5	258	406,5 ÷ 606,5	284	455	350	800A80DX	800A80SX
1920 ÷ 2320	1801	456,5	358	456,5 ÷ 656,5	384	505	400	800B90DX	800B90SX
2120 ÷ 2520	2001	506,5	358	506,5 ÷ 706,5	384	555	450	800B100DX	800B100SX

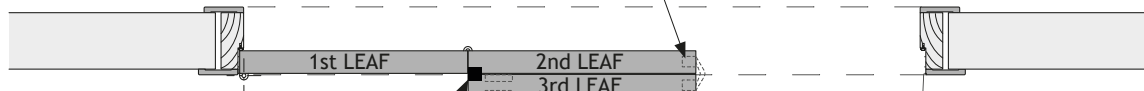
#### 4.5 Dimensional drawing for a 3-leaf single door

Maintaining the same dimensional characteristics as in the previous tables, a third leaf can be added by connecting it to the handle leaf by means of hinges, thus obtaining very wide openings with the open doors occupying a very small space.

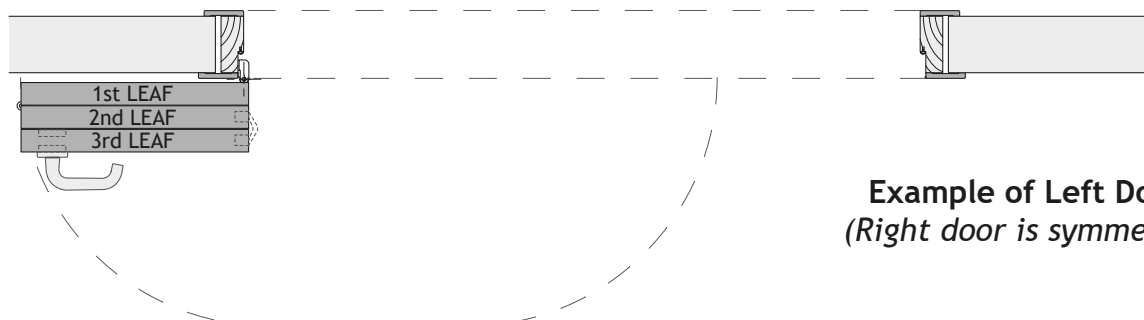
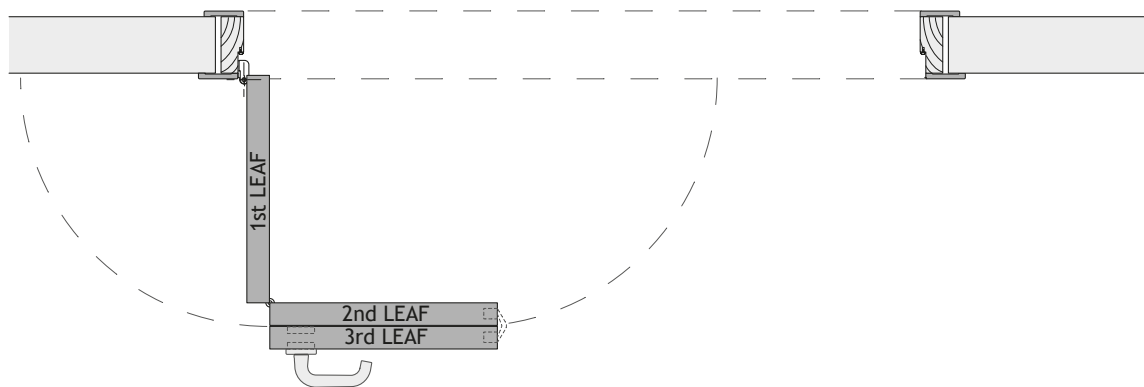
##### Dimensional example with symmetrical leaves



To block the leaf, you can use a traditional sliding bolt or magnet, or the magnetic unlocking system "Push&GO EVO" (see pages 17-18-19)



To keep the doors together, two magnets can be inserted in the lower or upper part of the doors

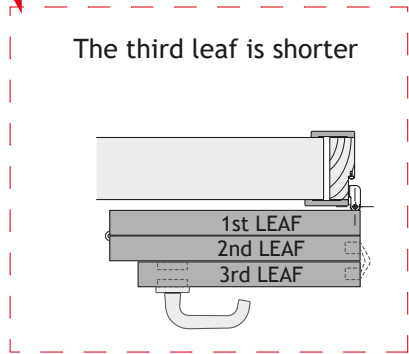
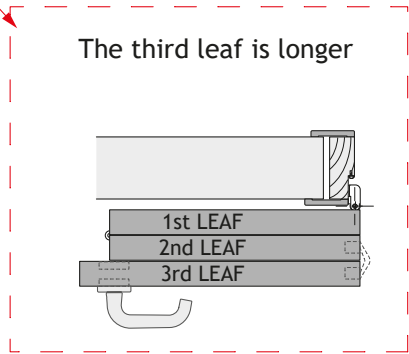
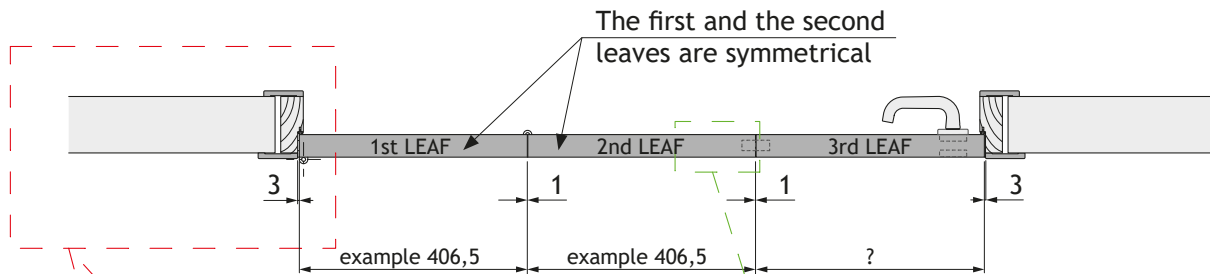


**Example of Left Door**  
(Right door is symmetric)



**Dimensional example with asymmetrical leaves:**

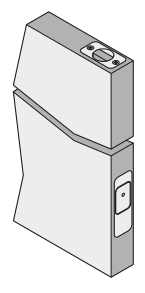
**First and second symmetrical leaves, third asymmetrical leaf**



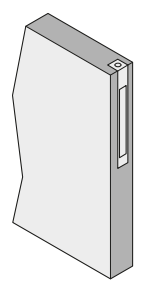
Closing alternatives for the second leaf

**Push&Go**  
- EVO -

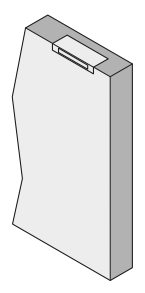
For the machining specifications see "Push&Go EVO" technical manual



Traditional sliding bolt



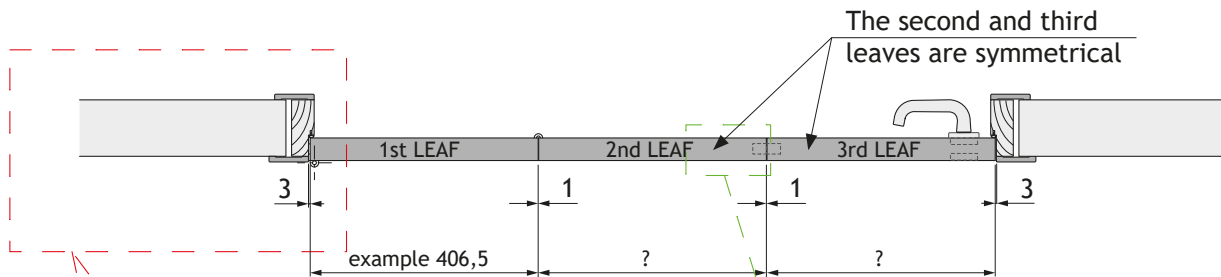
Magnet  
(also applicable on the third leaf)



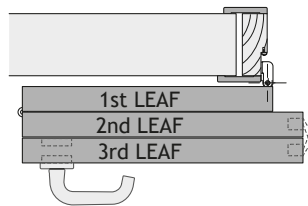
**Example of Left Door**  
(Right door is symmetric)

**Dimensional example with asymmetric leaves:**

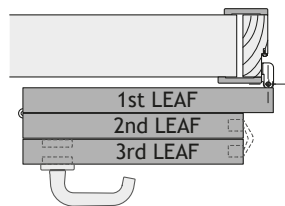
**Second and third symmetrical leaves, first asymmetrical leaf**



The second and third leaves are longer



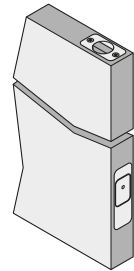
The second and third leaves are shorter



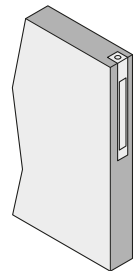
Closing alternatives for the second leaf

**Push&Go**  
· EVO ·

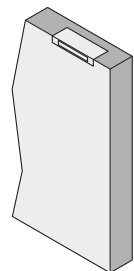
For the machining specifications see "Push&Go EVO" technical manual



Traditional sliding bolt



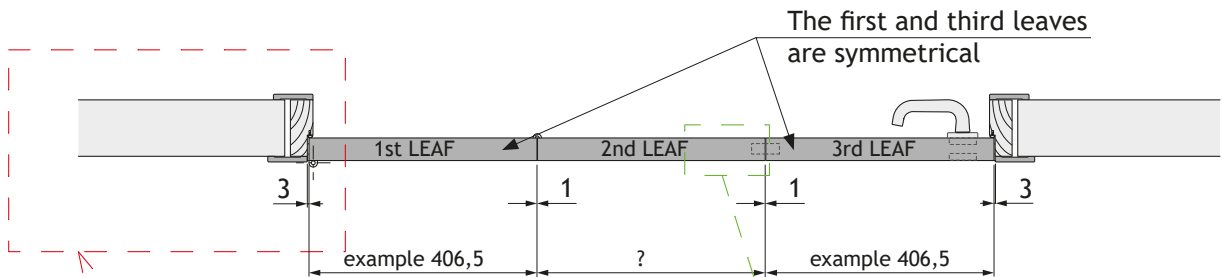
Magnet  
(also applicable on the third leaf)



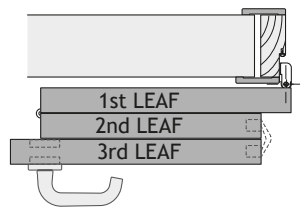
**Example of Left Door**  
(Right door is symmetric)

**Dimensional example with asymmetric leaves:**

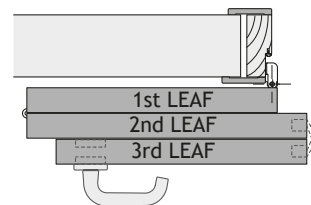
**First and third symmetrical leaves, second asymmetrical leaf**



The first and third leaves are longer



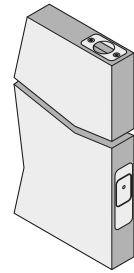
The first and third leaves are shorter



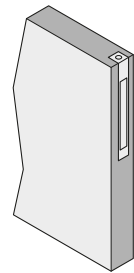
Closing alternatives for the second leaf

**Push&Go**  
- EVO -

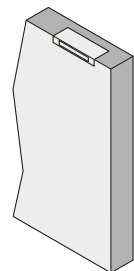
For the machining specifications see "Push&Go EVO" technical manual



Traditional sliding bolt



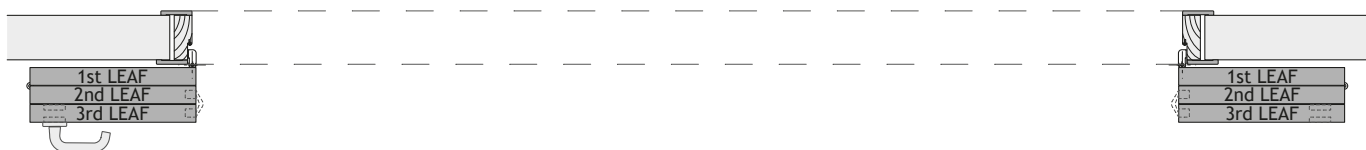
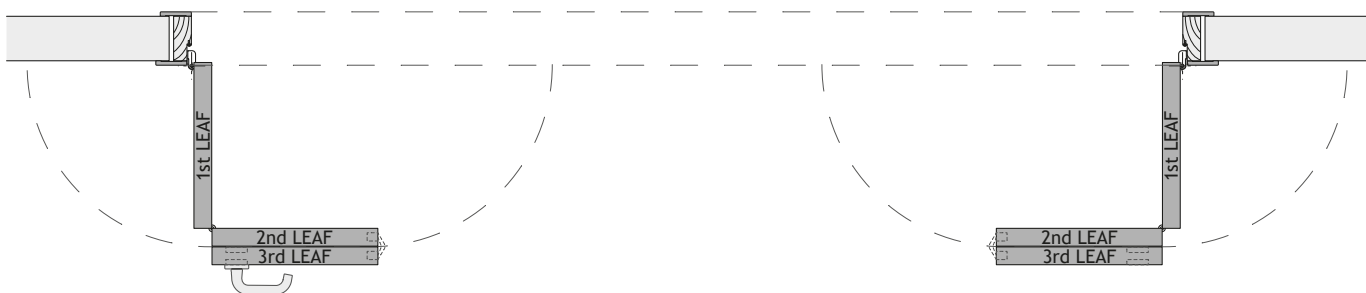
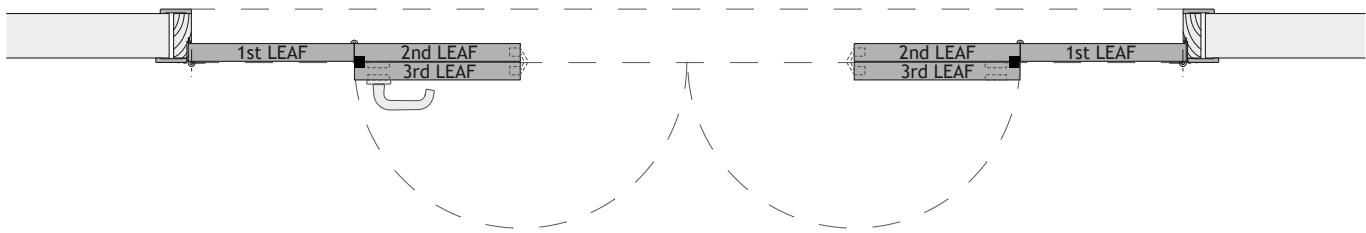
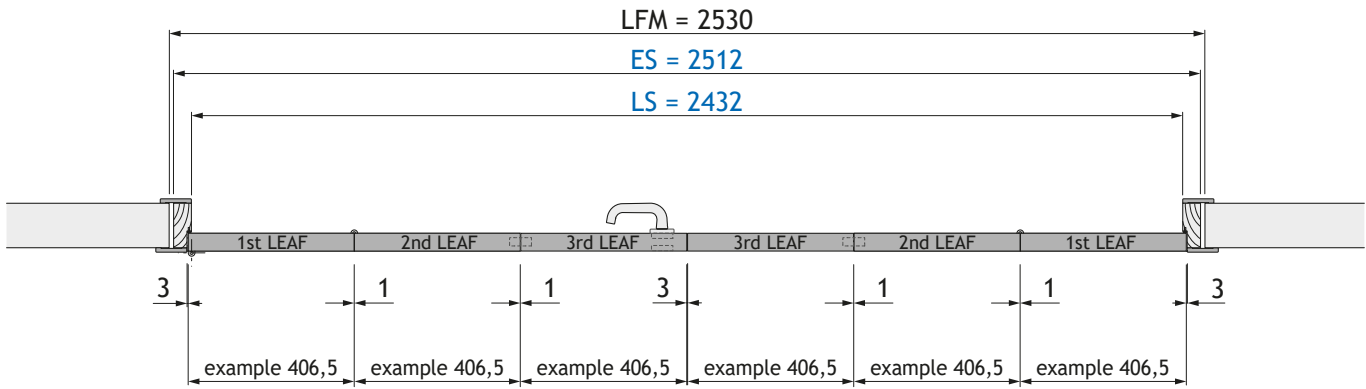
Magnet  
(also applicable on the third leaf)



**Example of Left Door**  
(Right door is symmetric)

## 4.6 Dimensional drawing for a 3-leaf double door

### Dimensional example with symmetrical leaves

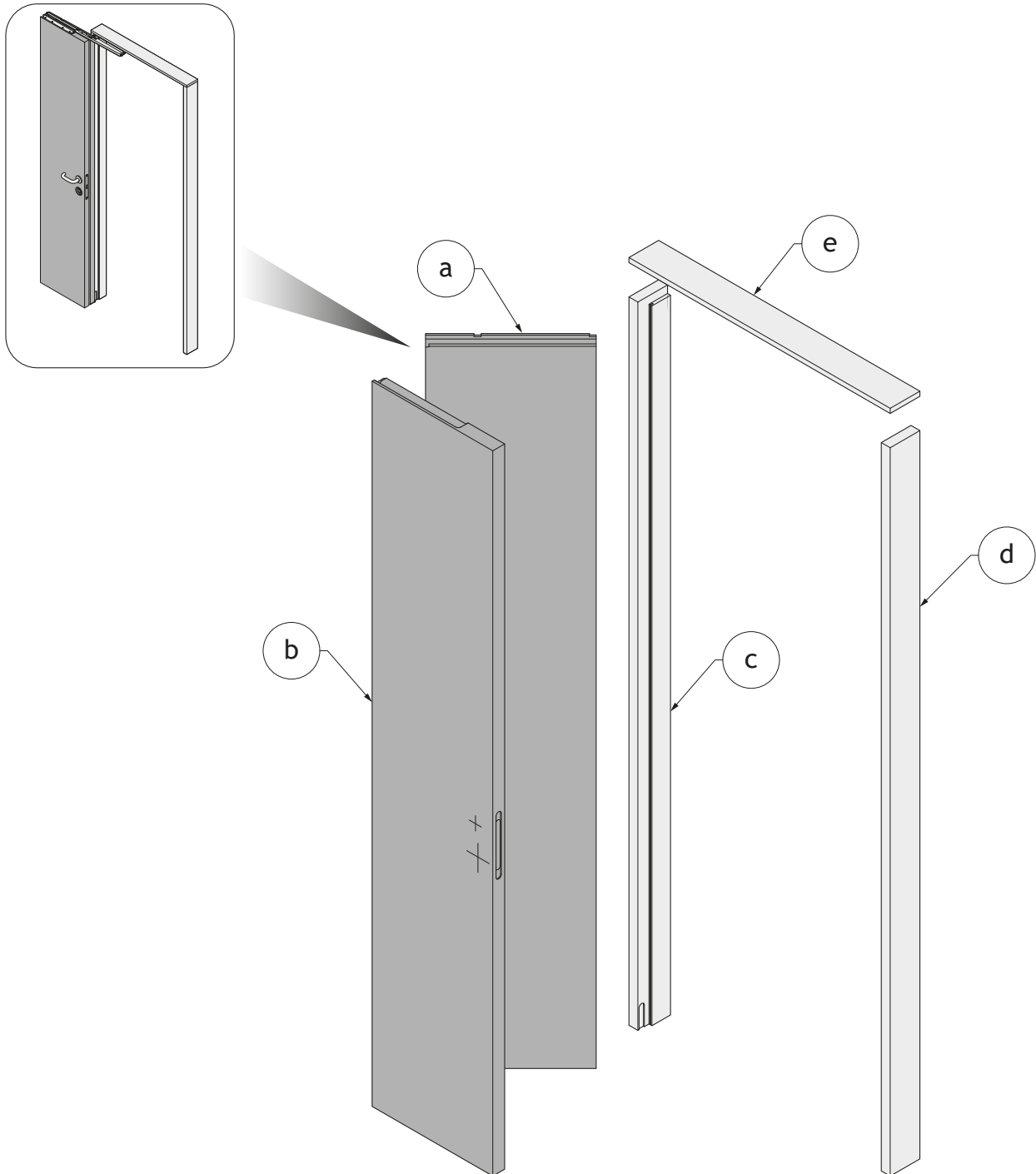


For applications with asymmetric leaves, see pages 17-18-19.

It is possible to combine the Compack Living 180° with the 90° one (see section 4.3).

## 5. COMPONENTS

### 5.1 Wood components compatible with COMPACK LIVING 90°

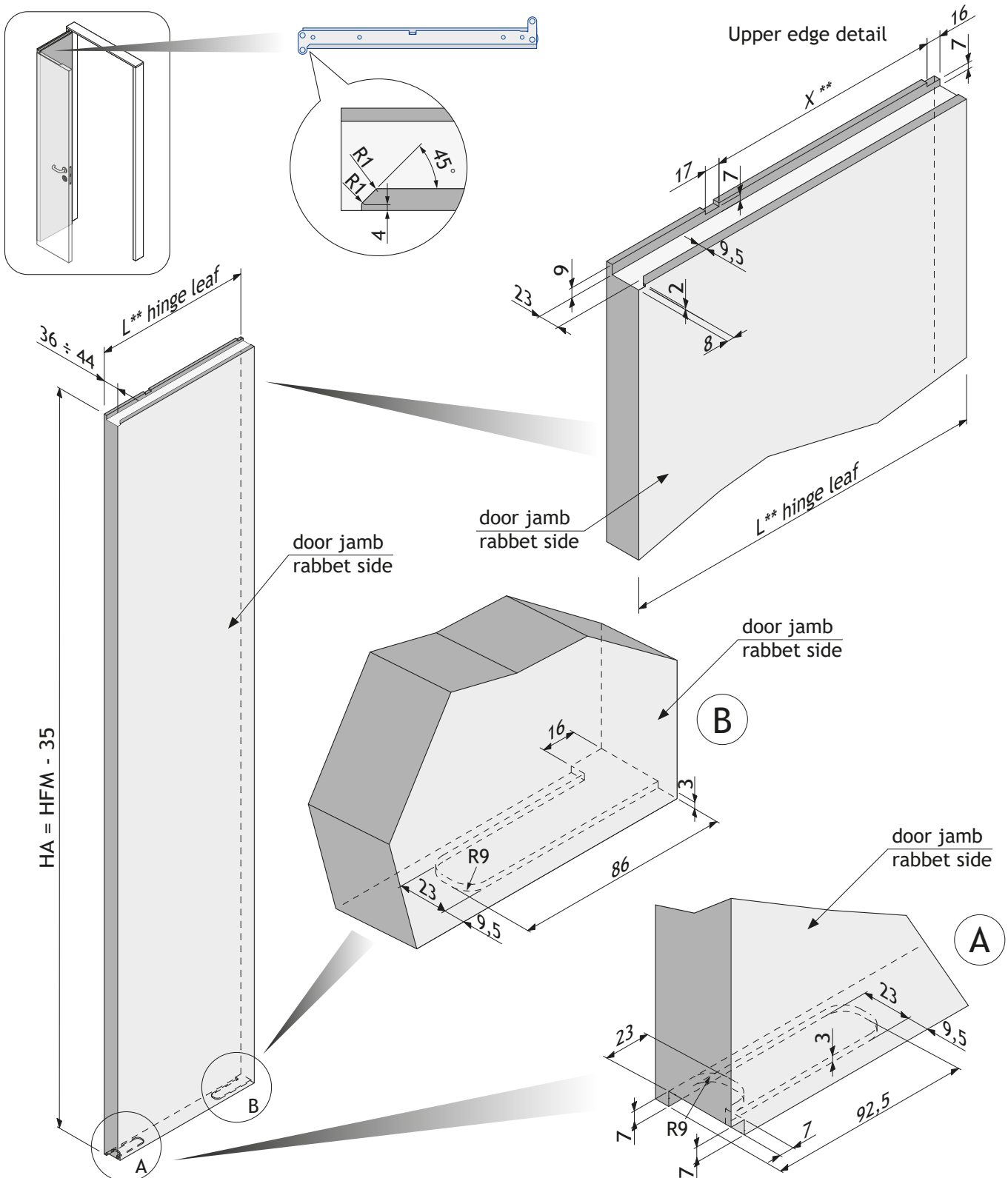


Part list		
Ref.	Q.ty	Description
a	1	Hinge leaf
b	1	Handle leaf
c	1	Hinge side door jamb
d	1	Handle side door jamb
e	1	Upper crossbeam

**5.2 Door leaf hinge side (compatible with COMPACK LIVING 90°)**

Left leaf door hinge side (*Right door is symmetric*)

(\*\*) For dimensions see sections 3.4, 3.5, 3.6, 3.7, 3.8

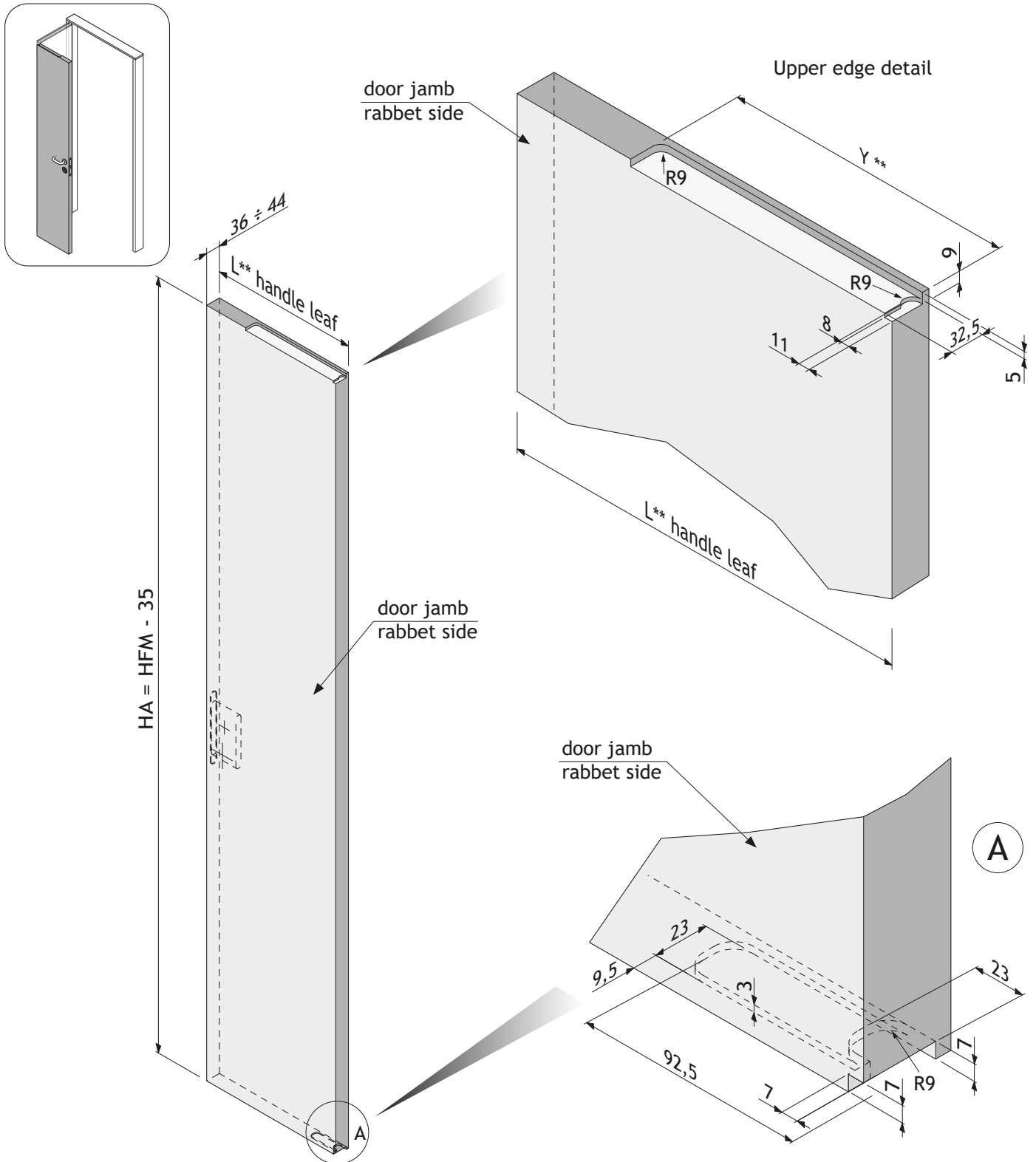


HFM = Wall Hole Height  
HA = Leaf Height

**5.3 Door leaf handle side (compatible with COMPACT LIVING 90°)**

Left leaf door handle side (Right door is symmetric)

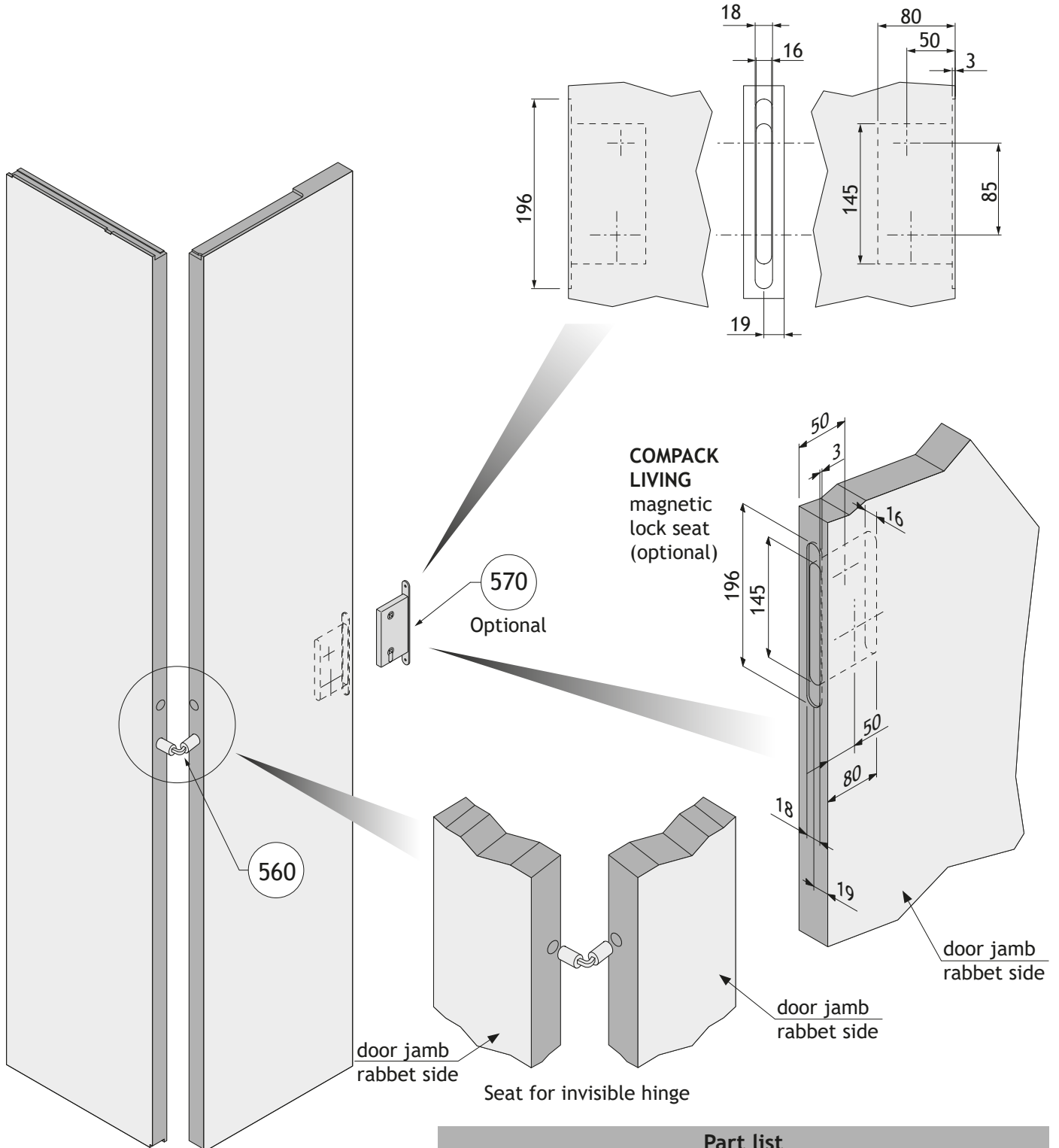
(\*\*) For dimensions see sections 3.4, 3.5, 3.6, 3.7, 3.8



**HFM** = Wall Hole Height  
**HA** = Leaf Height

**5.4 Workings for accessories (compatible with COMPACK LIVING 90°)**

The operations indicated for the lock seat are mandatory should you wish to use the lever handle on one side only.



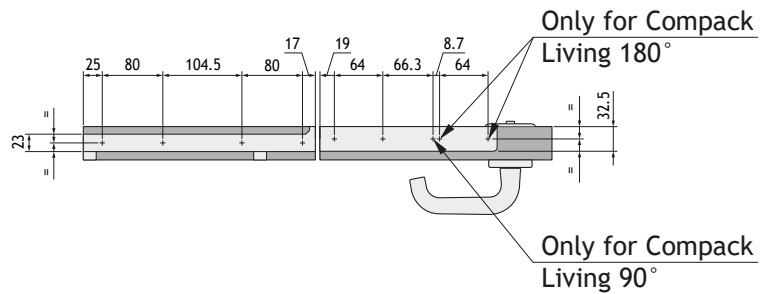
Part list		
Ref.	Q.ty	Description
560	1	Invisible hinge for alignment leaves
570	1	Magnetic lock Compack Living with strikers and special square spindle (optional)



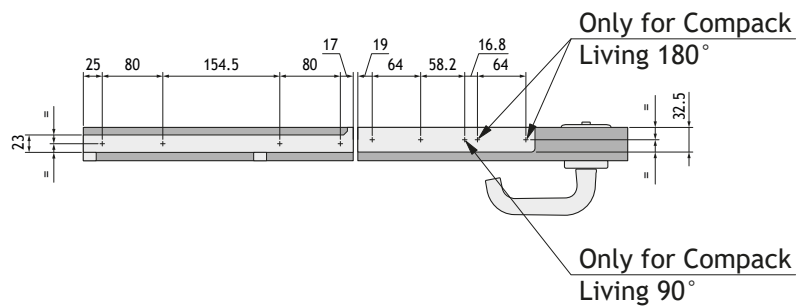
**5.5 Door hardware mounting hole diagrams (compatible with COMPACK LIVING 90°)**

**Door hardware mounting holes for both door systems: 180° and 90°**

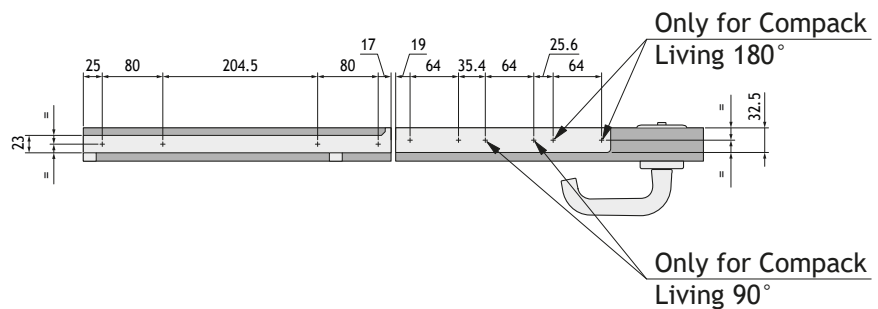
**Hardware group F60**  
Art. 800F60SX - 800F60DX  
Art. 900F60SX - 900F60DX



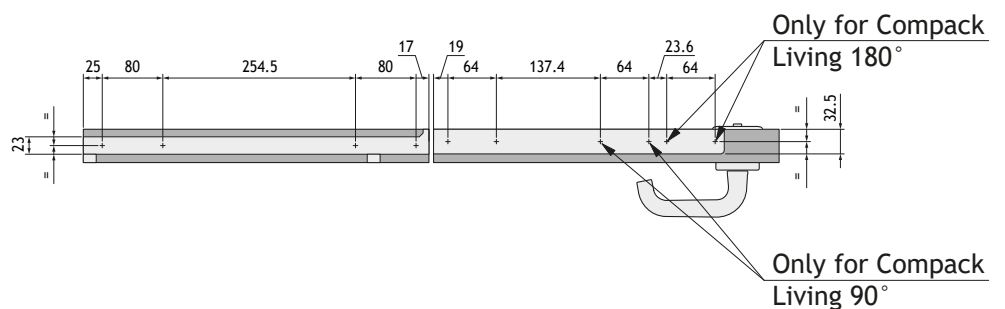
**Hardware group F70**  
Art. 800F70SX - 800F70DX  
Art. 900F70SX - 900F70DX



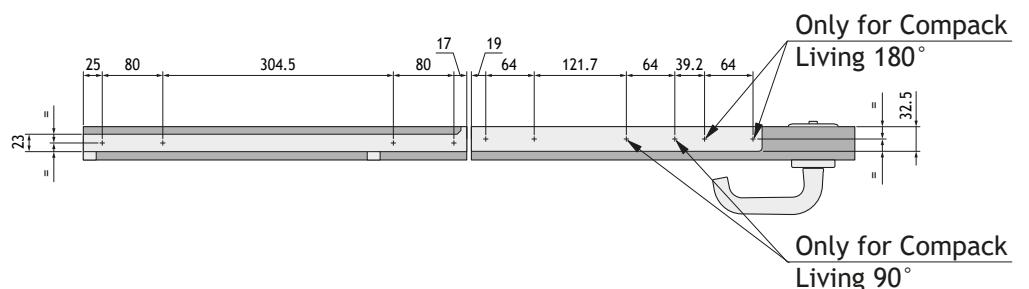
**Hardware group A80**  
Art. 800A80SX - 800A80DX  
Art. 900A80SX - 900A80DX



**Hardware group B90**  
Art. 800B90SX - 800B90DX  
Art. 900B90SX - 900B90DX

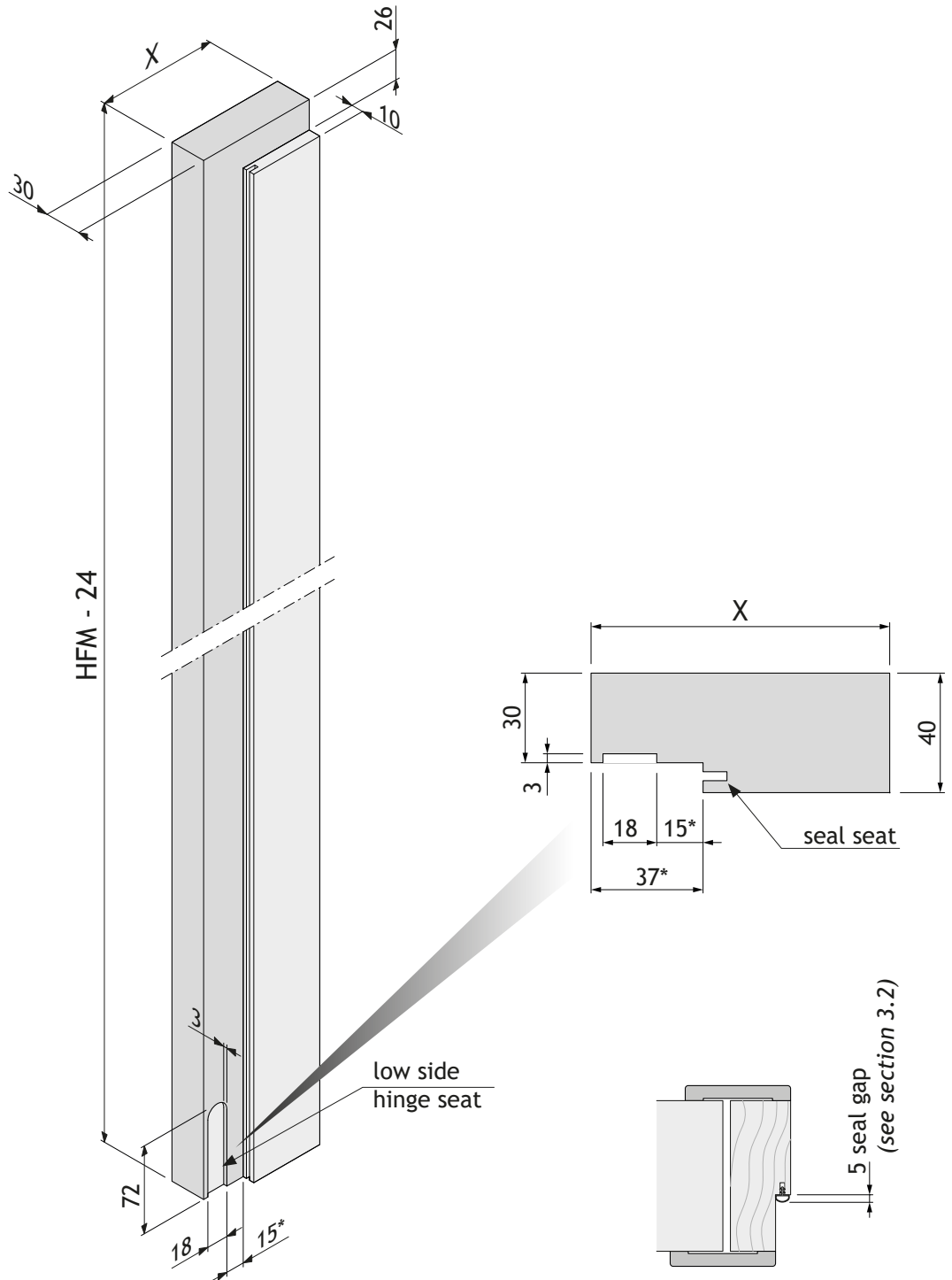
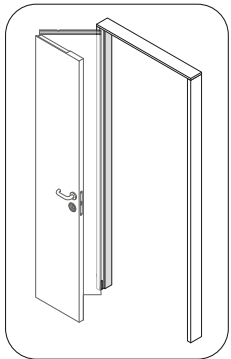


**Hardware group B100**  
Art. 800B100SX - 800B100DX  
Art. 900B100SX - 900B100DX



**5.6 Hinge side door jamb (compatible with COMPACT LIVING 90°)**

Door left jamb hinge side (*Right jamb is symmetric*)

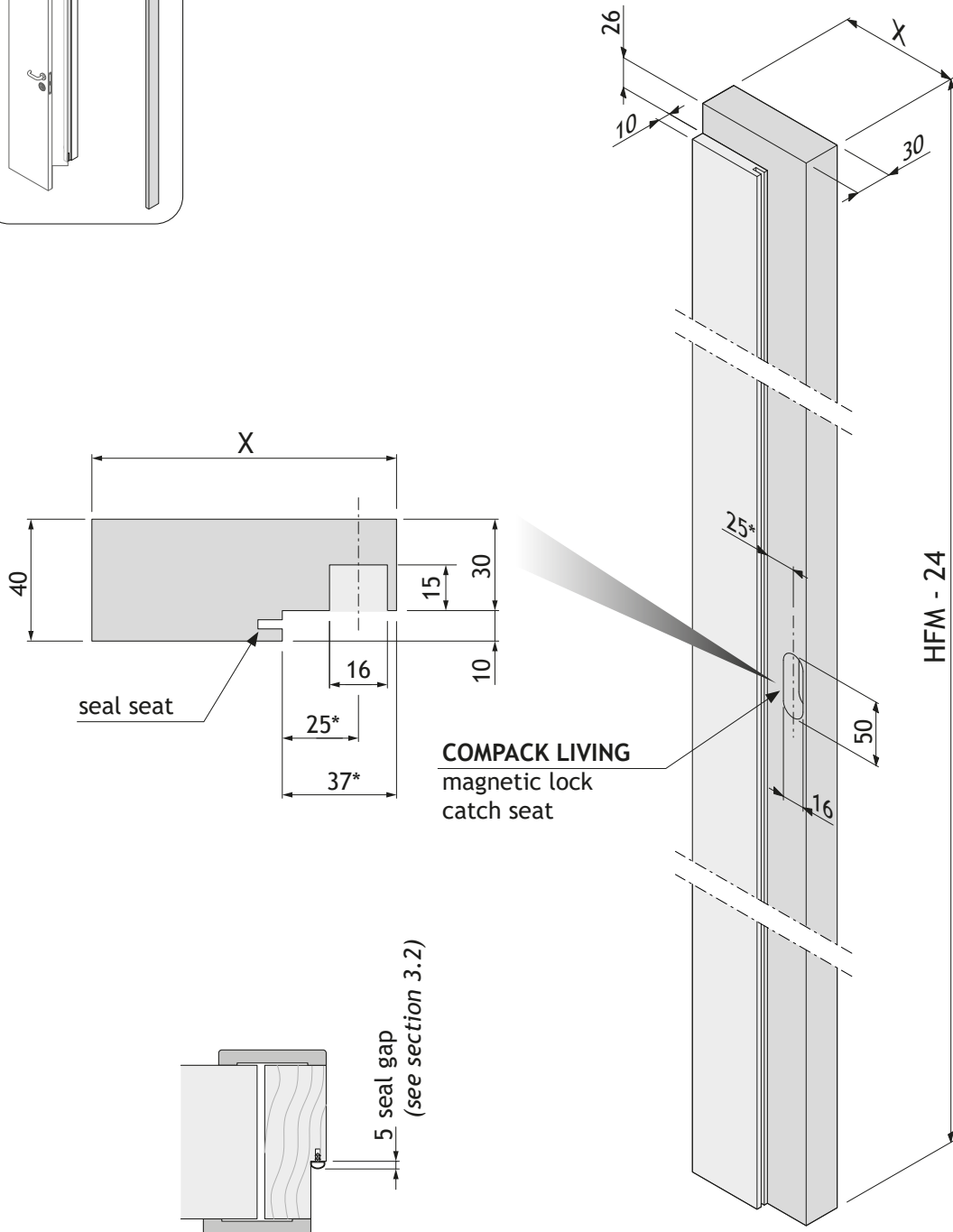
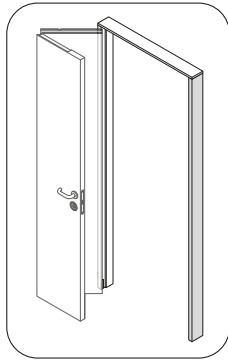


The dimension marked with (\*) vary according to the seal gap dimensions

**X** = Wall Thickness  
**HFM** = Wall Hole Height

**5.7 Handle side door jamb (compatible with COMPACT LIVING 90°)**

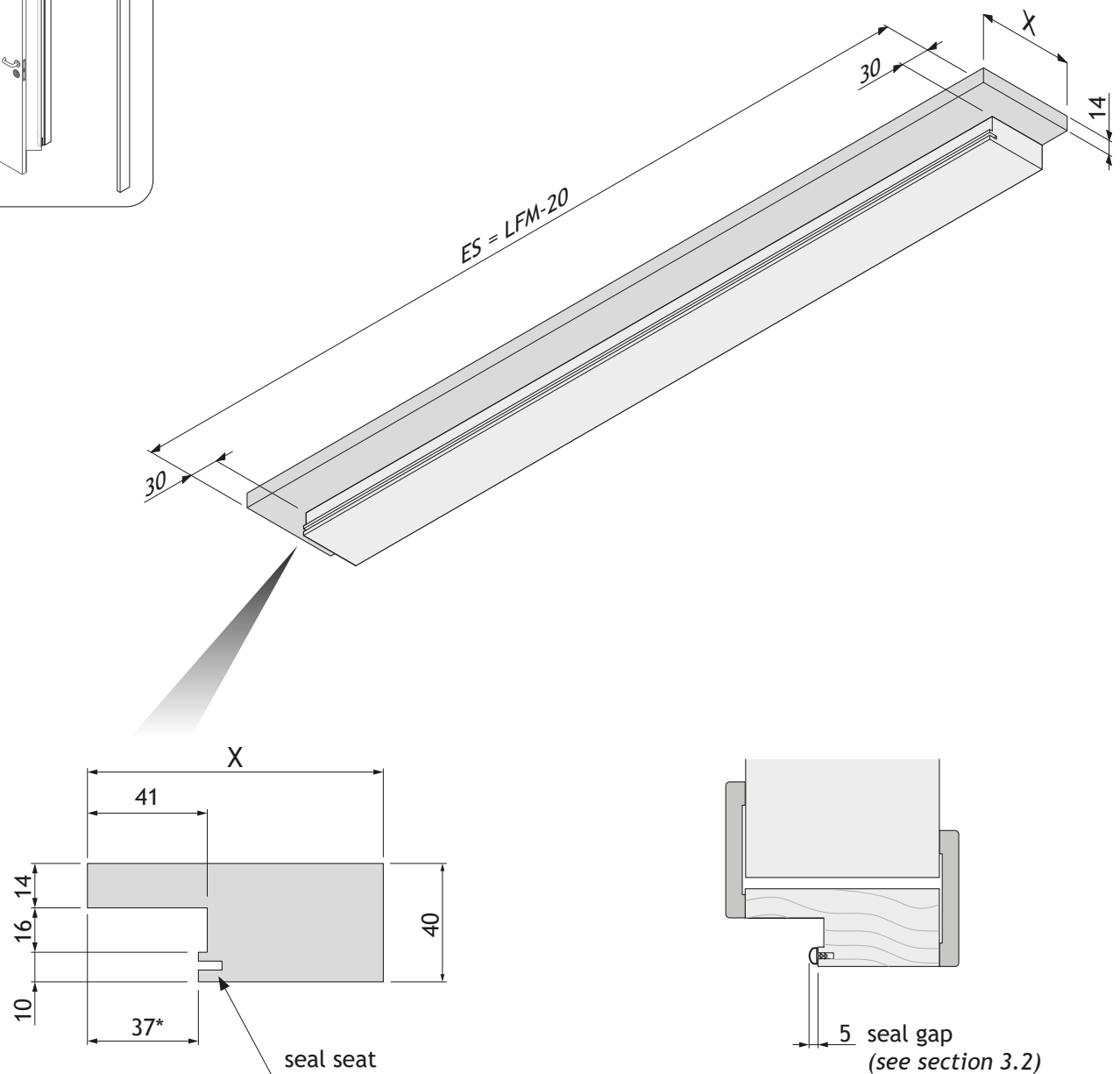
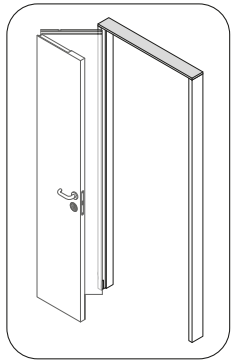
Door left jamb handle side (*Right jamb is symmetric*)



The dimension marked with (\*) vary according to the seal gap dimensions.

X = Wall Thickness  
HFM = Wall Hole Height

**5.8 Upper crossbeam (compatible with COMPACK LIVING 90°)**

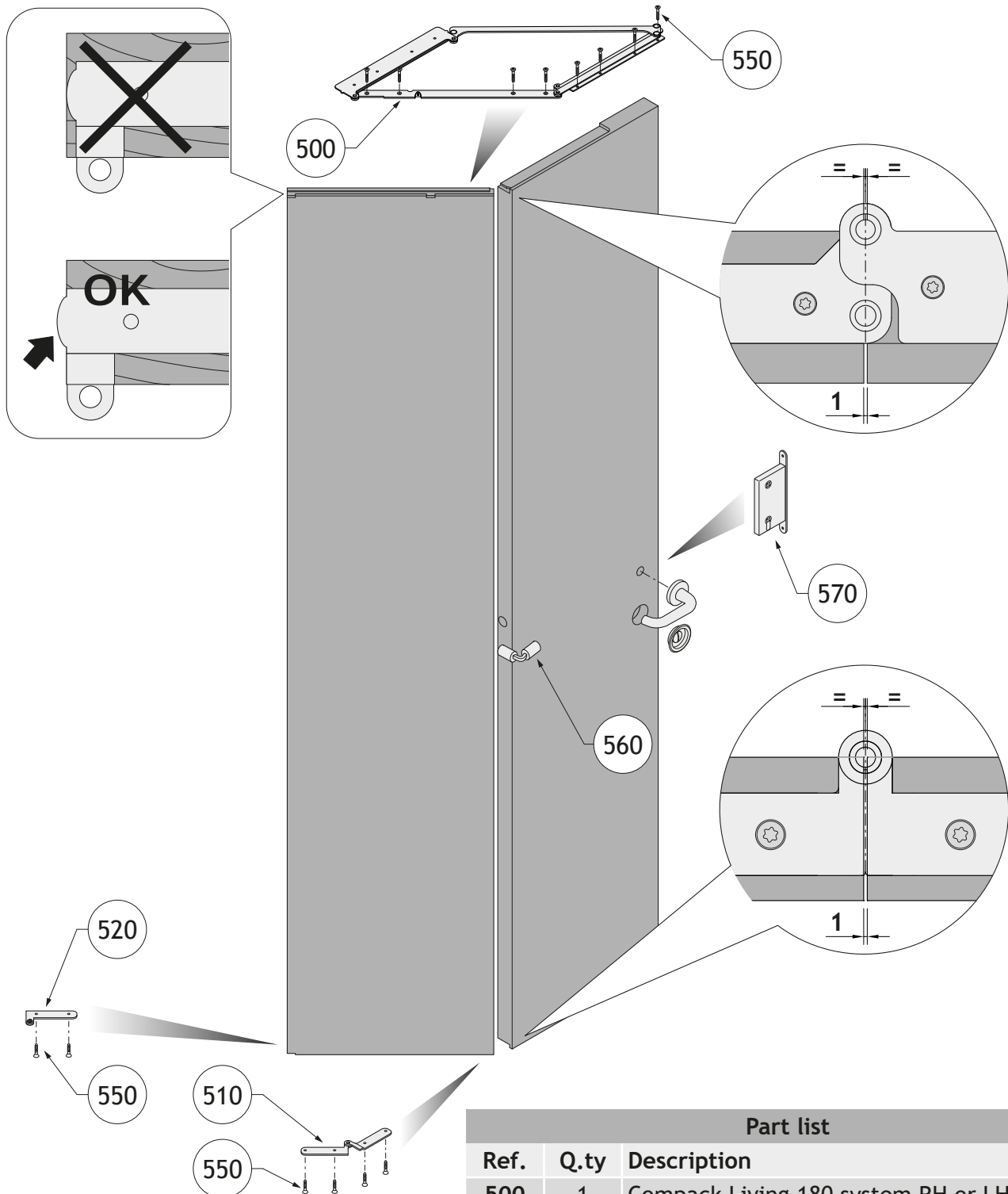


The dimension marked with (\*) vary according to the seal gap dimensions.

- X** = Wall Thickness
- ES** = Outer Jamb (= length of the upper crossbeam)
- LFM** = Wall Hole Width

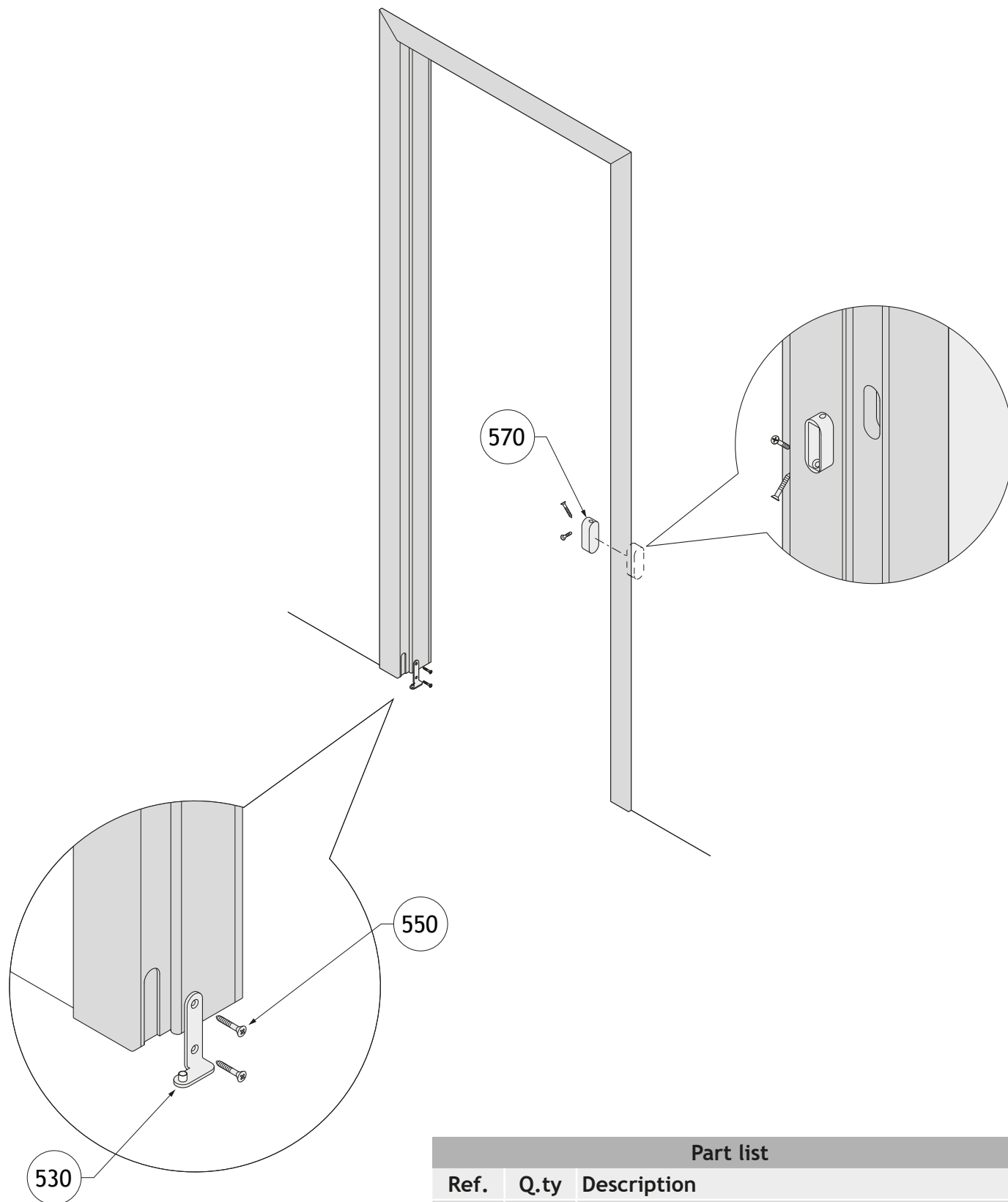
## 6. ASSEMBLY

### 6.1 Assembling the hardware on the leaf



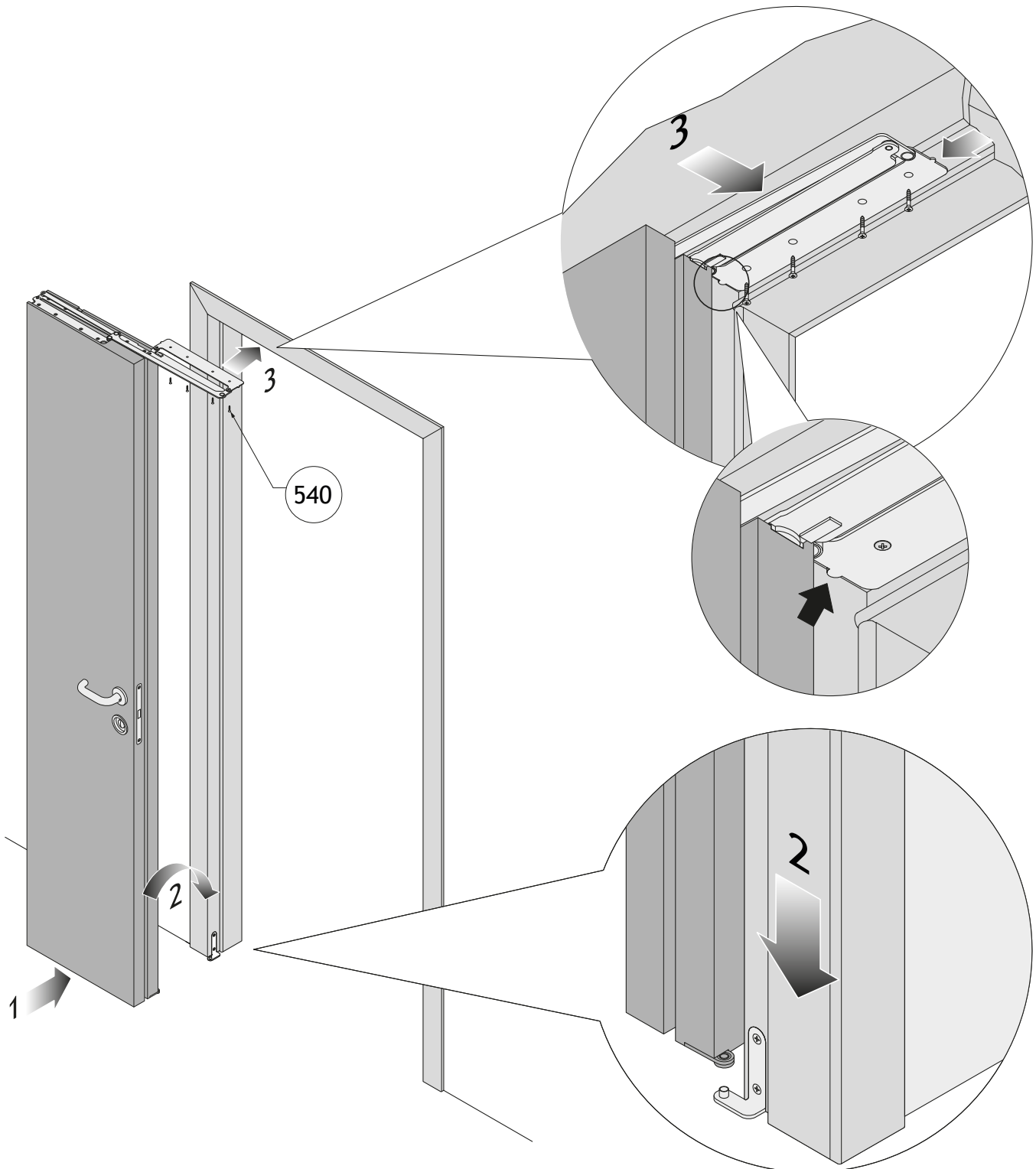
Part list		
Ref.	Q.ty	Description
500	1	Compack Living 180 system RH or LH
510	1	Central hinge lower
520	1	Lateral hinge lower for leaf RH or LH
550	14	Screw TSP trx $\varnothing$ 4x30
560	1	Invisible hinge for alignment leaf
570	1	Magnetic lock Compack Living with strikers and special square spindle (optional)

## 6.2 Assembling the hardware on the jamb



Part list		
Ref.	Q.ty	Description
530	1	Lateral hinge lower for jamb RH or LH
550	2	Screw TSP trx ø 4x30
570	1	Magnetic lock Compack Living with strikers (optional)

### 6.3 Installation door leaf on the jambs



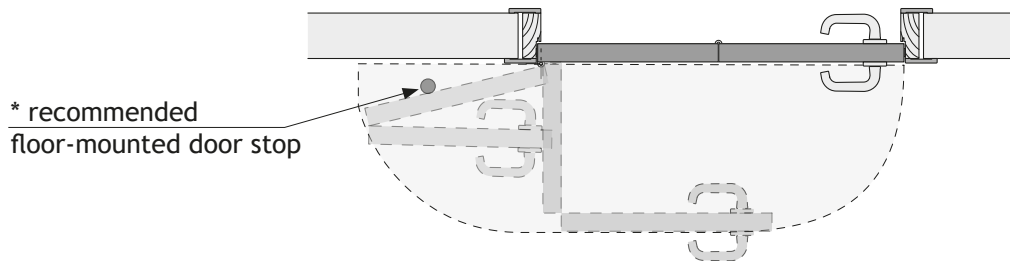
See sequence below for fitting the door:

- 1 fold the door leaves against one another
- 2 mount the door on the pivot of the hinge lower
- 3 position the top hardware pieces in **perfect alignment with the corner** and screw in place (screws included)

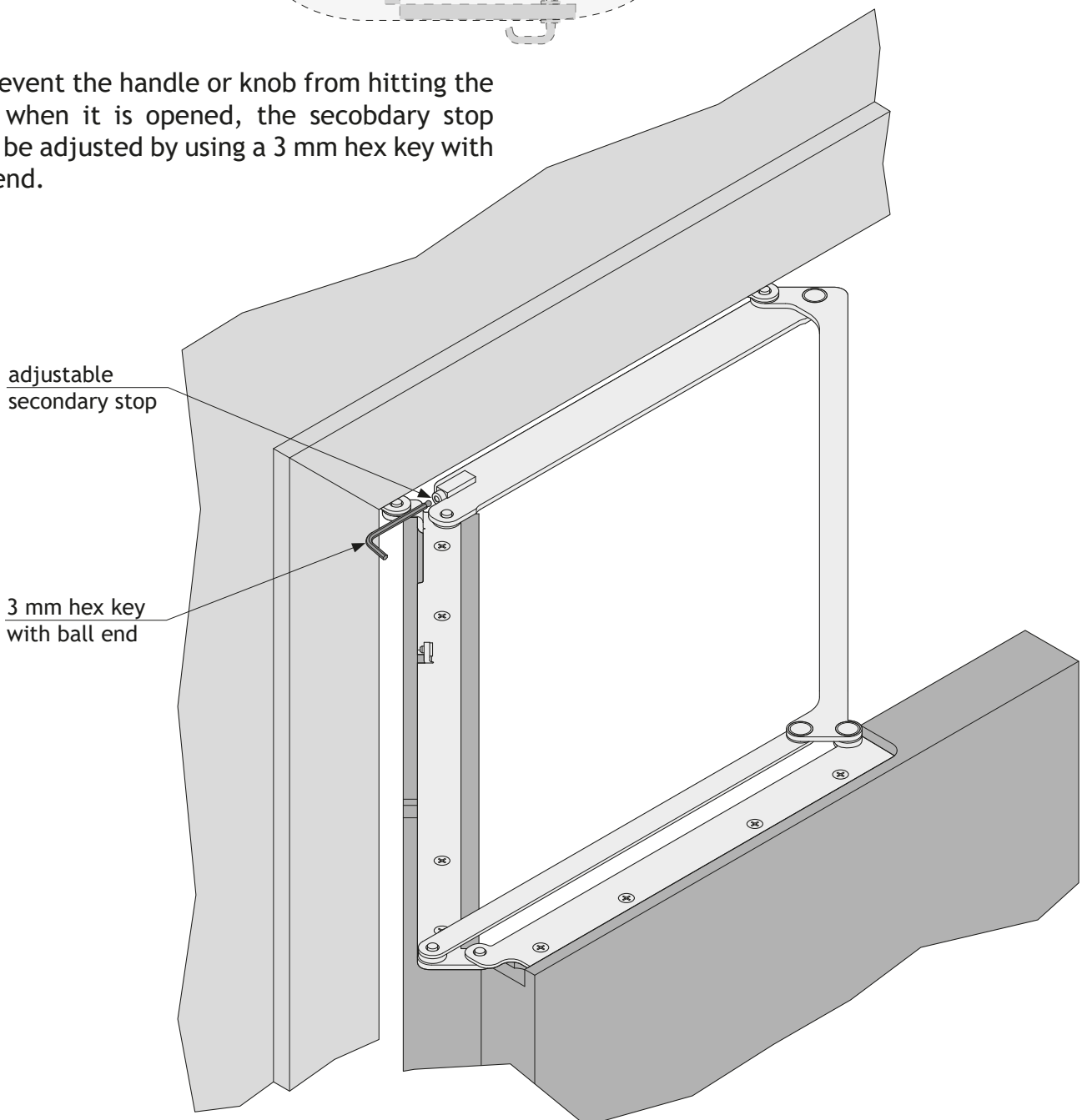
Part list		
Ref.	Q.ty	Description
540	4	Screw TSP trx ø 4x20

## 7. ADDITIONAL DOORSTOP ADJUSTMENT

The additional adjustable doorstop is necessary should you wish to use **a pair** of traditional handles or knobs in variants 1-2 and in variant 3, until the protrusion of the handle leaf does not allow the doors to flatten (see section 3.6), thus a traditional lock can also be used.



To prevent the handle or knob from hitting the door when it is opened, the secondary stop must be adjusted by using a 3 mm hex key with ball end.



**\* Important:** after adjusting the stop, a floor-mounted doorstop should also be installed.

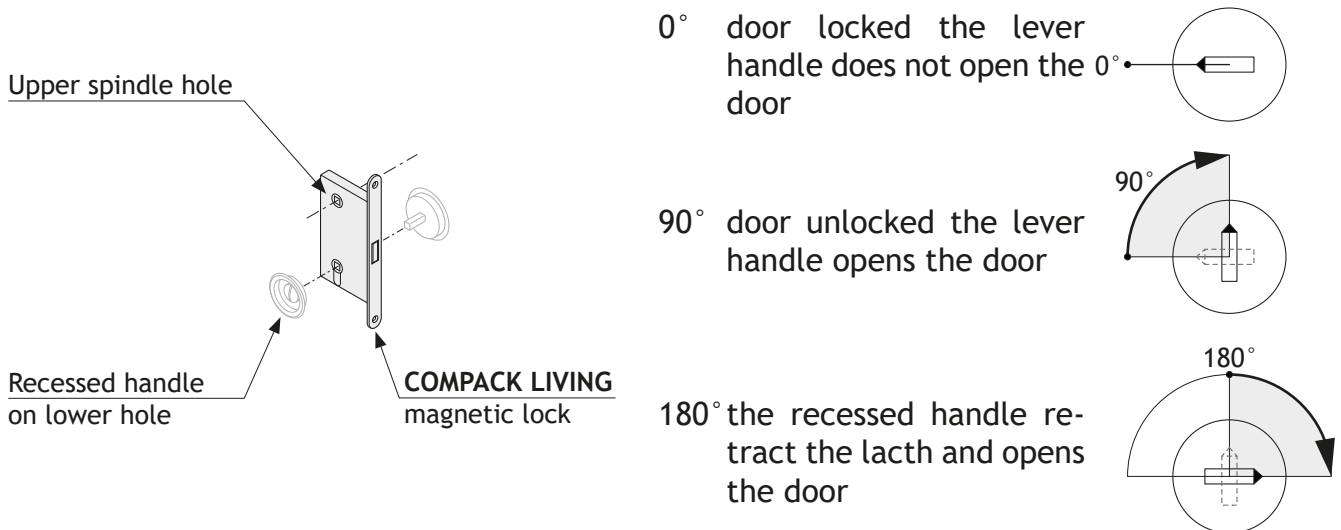


## 8. SPECIAL COMPACK LIVING MAGNETIC LATCH

If lever handles cannot be used because of the way the doors fold together, it is necessary to use the special **COMPACK** magnetic latch, which makes it possible to use a recessed handle on the lower section of the latch mechanism to lock the door or to retract the latch. This system provides 180° rotation. The special **COMPACK** magnetic latch also makes it possible to install the recessed handle on the upper section of the latch, to ensure privacy when the door opens into the room.

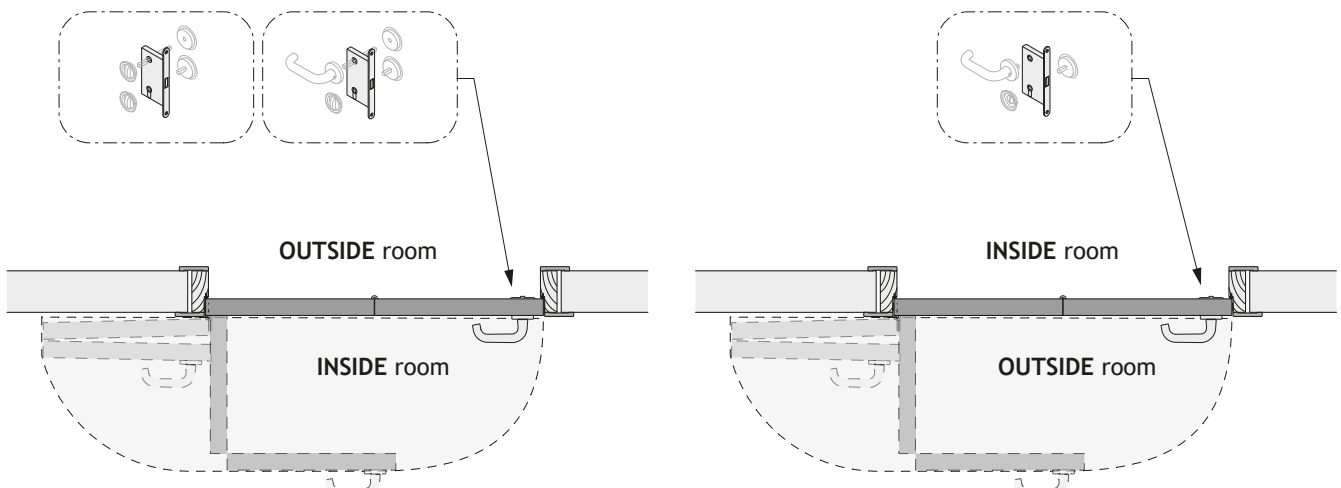
In the **COMPACK LIVING 180°** system it is possible to use a common lock envisaged for a pair of handles limited to **variant 3** when the protrusion of the handle leaf allows this (see chapter 3. *USE VARIANTS*), or using the additional doorstop (see chapter 7, *ADDITIONAL DOORSTOP ADJUSTMENT*).

With the **COMPACK** hinge, the recessed handle installed on the lower section of the latch functions as follows:

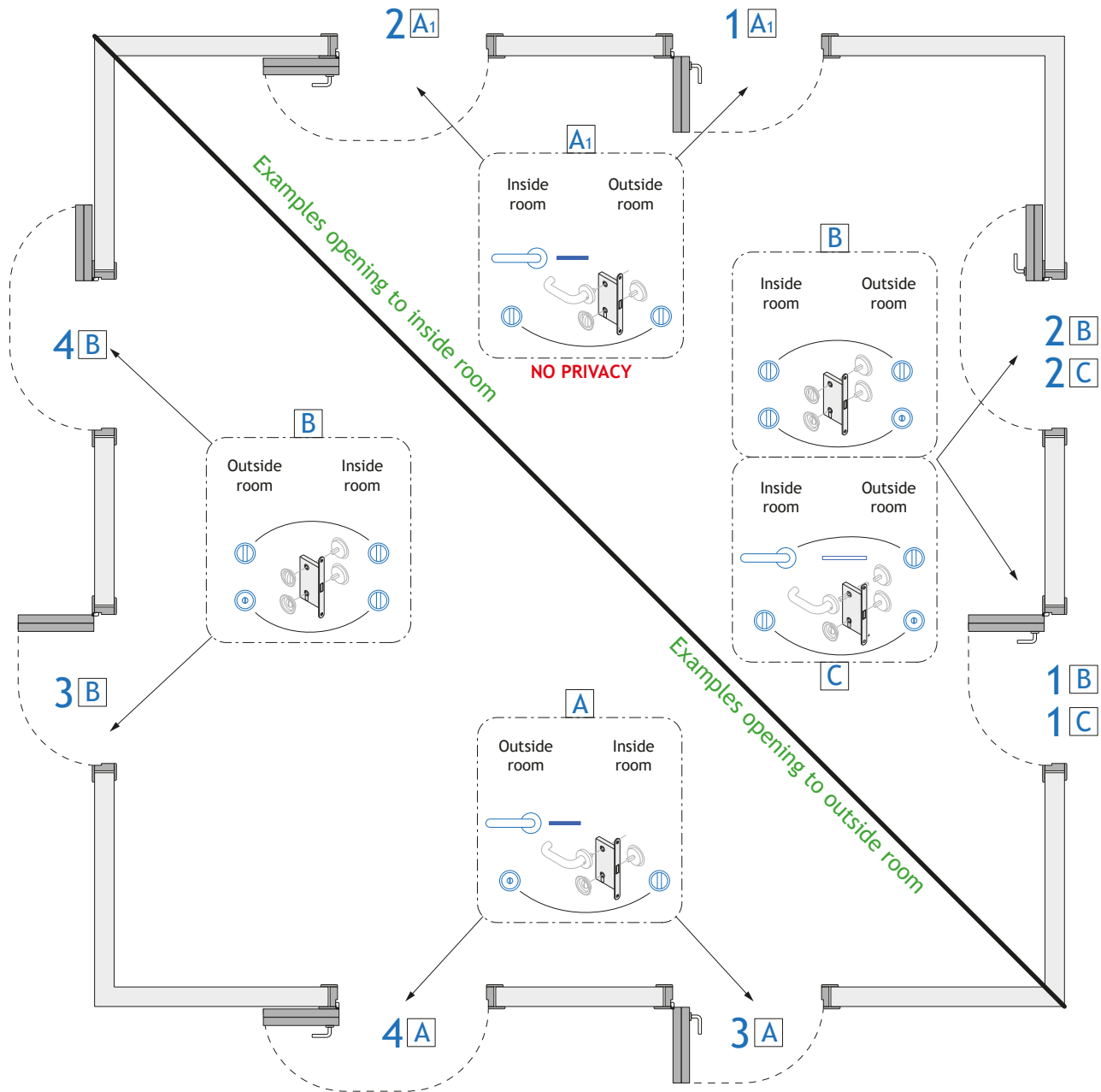







Recessed handle on upper latch section,  
to ensure privacy when the door opens into the room.

To unite the lever handle with the recessed handle, use the special spindle in the latch pack



## 8.1 Examples for using the special COMPACK LIVING lock



-  Traditional lever handle
-  Recessed handle with knob
-  Recessed handle
-  Special spindle square lock **COMPACK** (included in the lock's package)
-  Expansion spindle square (available on the market)

- 1** COMPACK LIVING 90° System opening to inside room
- 2** COMPACK LIVING 180° System opening to inside room
- 3** COMPACK LIVING 90° System opening to outside room
- 4** COMPACK LIVING 180° System opening to outside room





**COMPACT living® is an idea CELEGON**  
**30035 Mirano (Venezia) | Via G. Galilei, 6 - Z.I.**  
**T +39 041 572 8404 | F +39 041 572 8522**  
**[www.compactliving.com](http://www.compactliving.com) | [info@compactliving.com](mailto:info@compactliving.com)**