

## 九江五金 KAE7002 安裝說明書



打開包裝檢查產品及零配件是否齊全。

關門器\*2、六角板手\*2

ST螺絲\*22、帽蓋\*4

電動板手\*1、說明書\*1



將關門器安裝到門與門框上(無壓力狀態)

注意:

產品要箭頭朝上安裝



調整第二段關門速度  
向左轉,速度快  
向右轉,速度慢

(每個關門器都要調整)



取六角板手,依實際門的重量做關門力道的壓力微調。

(每個關門器都要調整)



用黑色長條接頭,裝到工具上,依"順時鐘"方向鎖緊,當工具發出"嗒"一聲後停止。

(每個關門器都要調整)

### 拆卸方式

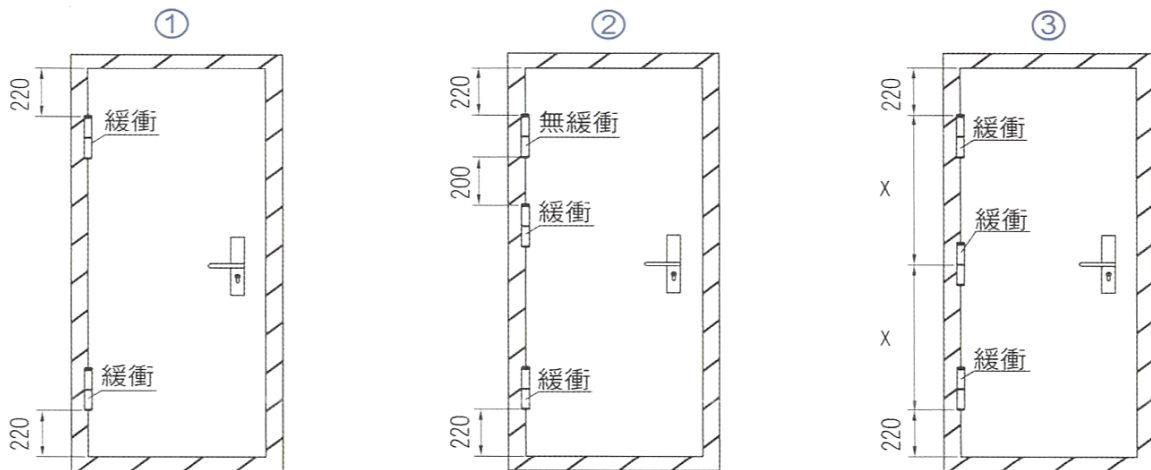
依照上圖**步驟2**反向操作,以逆時針方向把壓力調小至無壓力狀態後即可拆卸。

請依照門重及尺寸正確使用鉸鏈的數量 **※超載使用，不予保固**

項次	門重	門寬度限制	門高度	鉸鏈數量	備註
①	35-70kg	≤900mm	2100mm以下	兩個緩衝	
②	35-70kg	≤900mm	2100-2400mm	兩個緩衝+一個無緩衝	
③	70-100kg	≤1000mm	2200mm以下	三個緩衝	

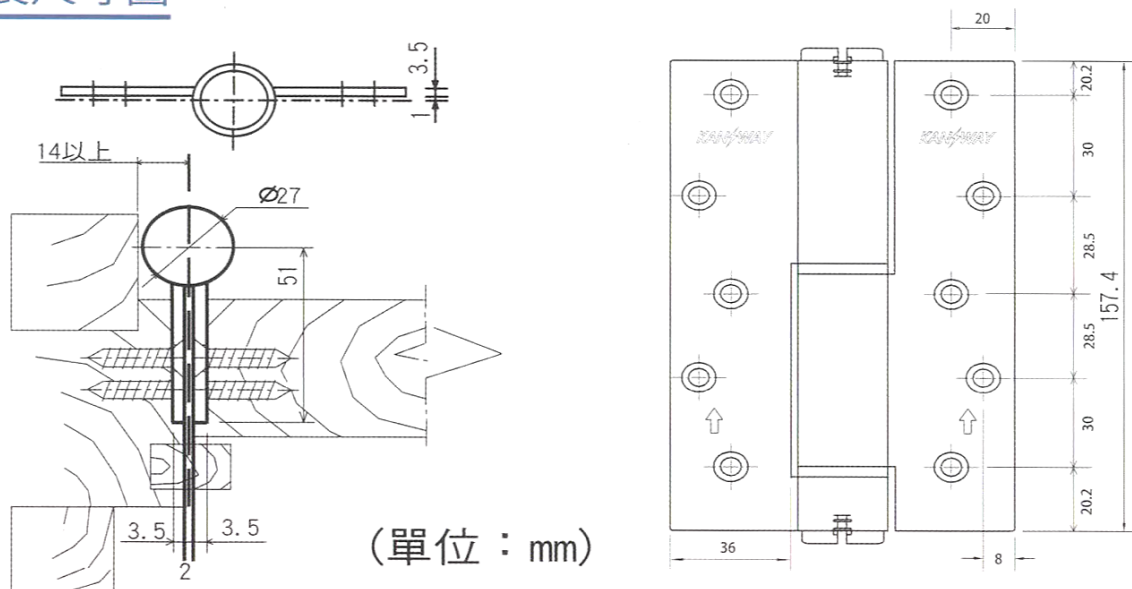
※為確保產品品質及功能順暢，嚴禁搭配它牌商品一起使用。

### 鉸鏈安裝配置 (請參照上表的項次①②③)



※請確實依照上圖所標示正確安裝鉸鏈及位置。

### 安裝尺寸圖



九江五金行 108-46 臺北市萬華區西寧南路 233 號

電話：02-2331-5987

02-2361-7111

傳真：02-2389-9959

Line：@a23315987

Mail：a23315987@yahoo.com.tw

 英國康士威集團授權台灣銷售證書



Patron: Her Majesty The Queen  
President: His Royal Highness The Prince of Wales

*KANSWAY TECHNOLOGY*  
*BUILDING MATERIAL GROUP LIMITED*

Royal Academy of Hinge - Royal College of Hinge  
Royal Northern College of Hinge  
Royal Scottish Academy of Hinge and Slide

Authorization **KANWAY**<sup>®</sup>

**Brand- 6 -Product Market By**

*Taiwan Kansway Technology  
Building Material Co. Ltd.,  
To Sell In Taiwan*

*Authorization In  
2019.1.1~2029.1.1*

*Richard Morris*

R. F. M. Morris  
Chief Executive



KANSWAY GROUP LTD



## TEST REPORT

Mechanical & Hardgoods Laboratory

Report No. : HL10153/2019

Page : 2 of 2

### Test Method:

1. Secure the two hinges on the door then fixed on the working frame.
2. Open the door by using the gas cylinder to  $(70 \pm 5)$  degrees angle and close the door to the original position as one cycle.
3. Totally executing 1,000,000 cycles.
4. Tested Door:  
Weight: 40 kg; Size:85 cm x 200 cm
5. Frequency:  $(15 \pm 1)$  cycles/minute
6. After testing, visual checks the sample for damage and record any findings.

### Test Result:

Sample	Cycles	Result
KANSWAY Automatic regression buffer door closer hinge	1,000,000	No visual damage or loss of function was found after testing.

– Picture(s) –

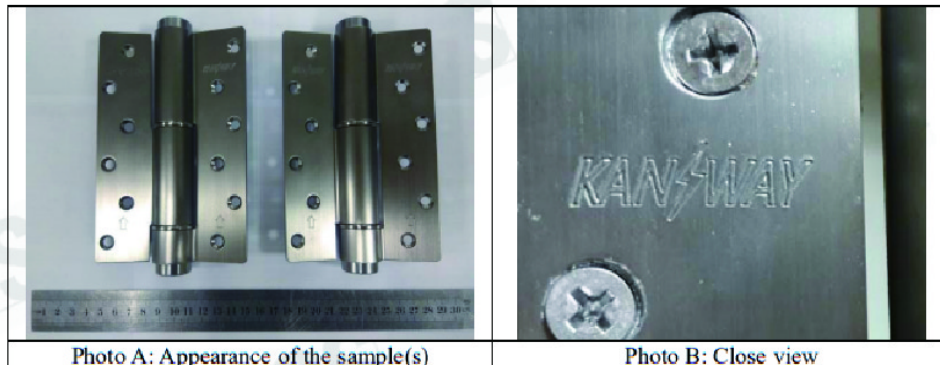


Photo A: Appearance of the sample(s)

Photo B: Close view

--- End of Report ---

## 測試結果：100萬次開合測試，無損壞狀況

This document is issued by the Company subject to its General Conditions of Service printed overleaf, available on request or accessible at <http://www.sgs.com/en/Terms-and-Conditions.asp> and, for electronic format documents, subject to Terms and Conditions for Electronic Documents at <http://www.sgs.com/en/Terms-and-Conditions/Terms-e-Document.asp>. Attention is drawn to the limitation of liability, indemnification and jurisdiction issues defined therein. Any holder of this document is advised that information contained hereon reflects the Company's findings at the time of its intervention only and within the limits of clients instruction, if any. The Company's sole responsibility is to its Client and this document does not exonerate parties to a transaction from exercising all their rights and obligations under the transaction documents. This document cannot be reproduced, except in full, without prior written approval of the Company. Any unauthorized alteration, forgery or falsification of the content or appearance of this document is unlawful and offenders may be prosecuted to the fullest extent of the law. Unless otherwise stated the results shown in this test report refer only to the sample(s) tested.

SGS Taiwan Ltd.  
台灣檢驗科技股份有限公司

No.127, Wu Kung Road, New Taipei Industrial Park, New Taipei City, Taiwan (台北市新莊產業園區五工路127號)  
t: (886-2) 2299-3279 f: (886-2) 2299-2920

[www.tw.sgs.com](http://www.tw.sgs.com)

Member of SGS Group

台灣SGS測試