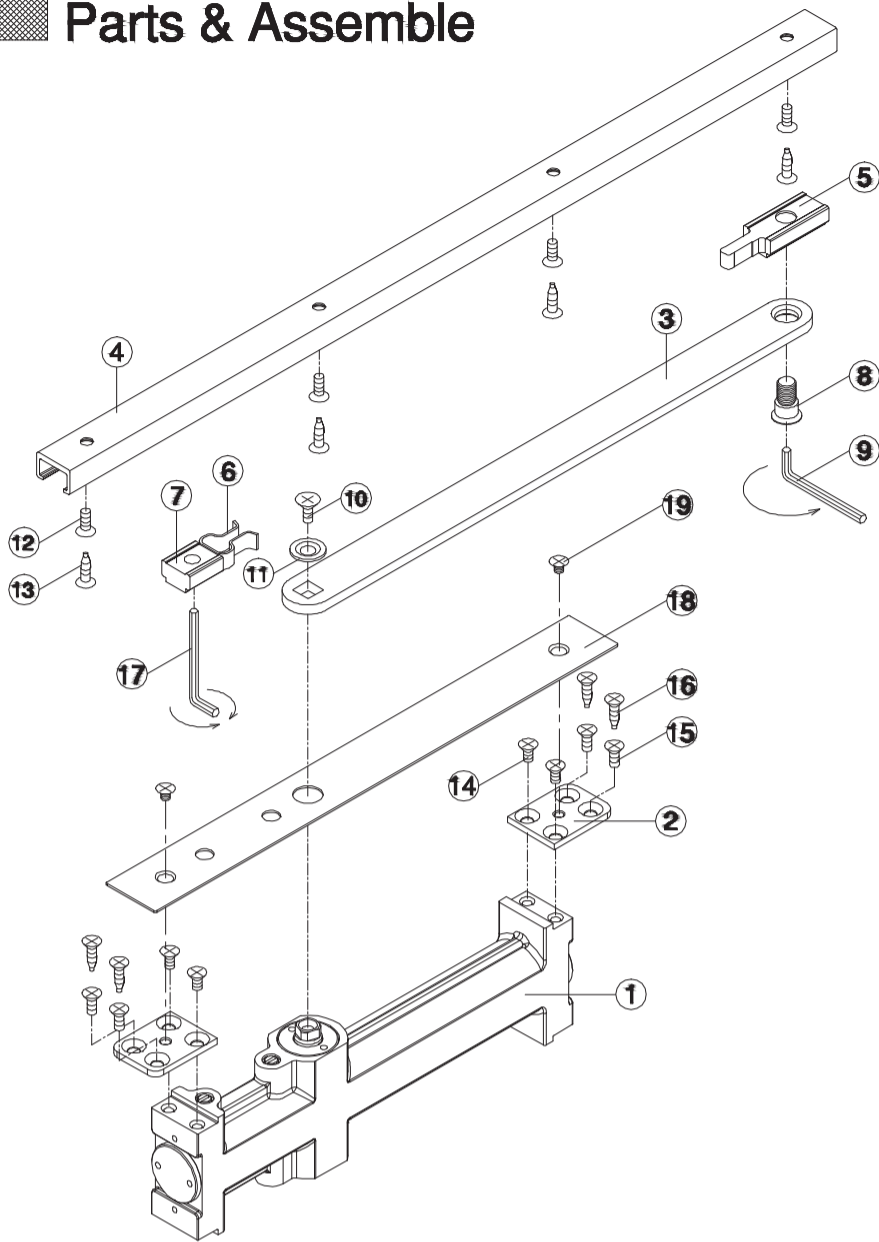
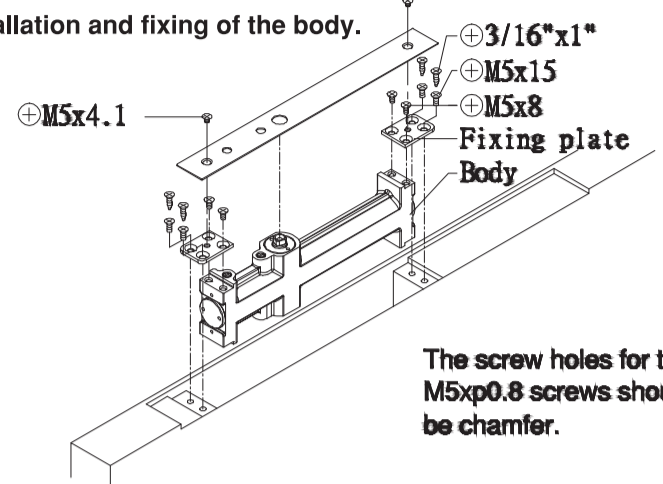


## Parts & Assemble

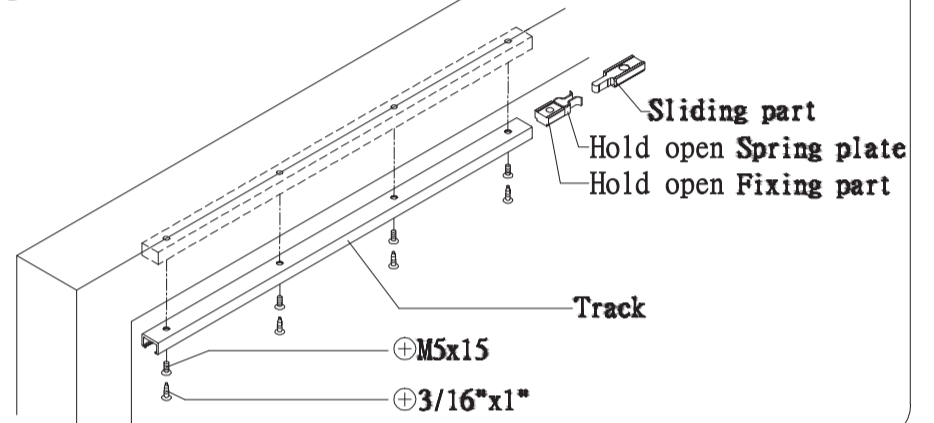


NO	Parts	QTY	NO	Parts	QTY
①	Body	1	⑪	Washer	1
②	Fixing plate	2	⑫	⊕ Countersunk screw M5x15	4
③	Main arm	1	⑬	⊕ Wooder screw 3/16"x1"	4
④	Track	1	⑭	⊕ Countersunk screw M5x8	4
⑤	Sliding part	1	⑮	⊕ Countersunk screw M5x15	4
⑥	Hold open Spring plate	1	⑯	⊕ Wooder screw 3/16"x1"	4
⑦	Hold open Fixing part	1	⑰	○ Wrench 4mm	1
⑧	○ Fixing screw M8	1	⑱	○ Cover plate	1
⑨	○ Wrench 5mm	1		⊕ Countersunk screw M5x4.1	2
⑩	⊕ Countersunk screw M5x12	1			

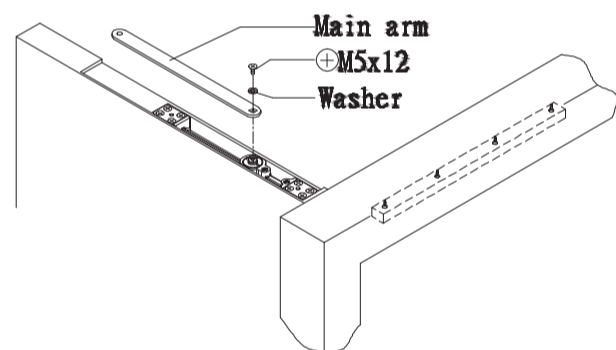
### ① Installation and fixing of the body.



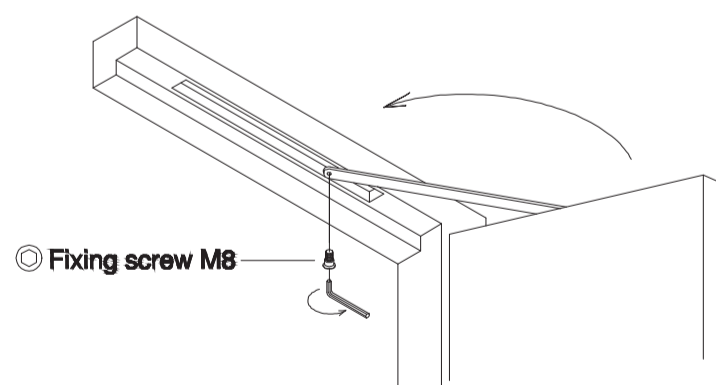
### ② Installation and fixing of the track



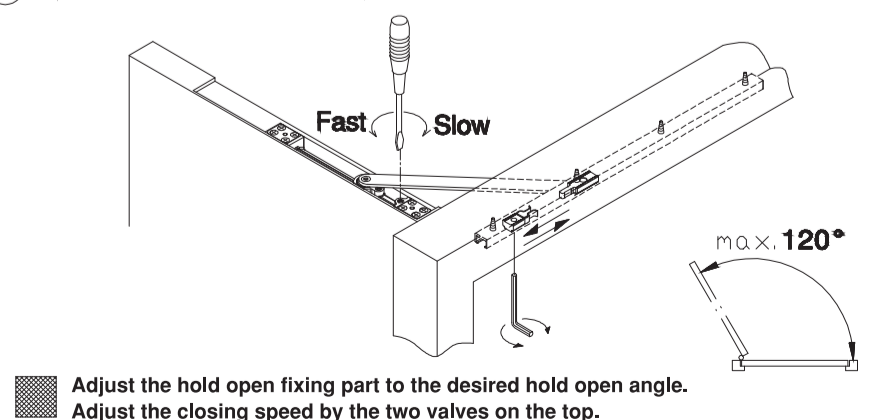
### ③ Attach the main arm to the axis of the body and tighten the screw firmly



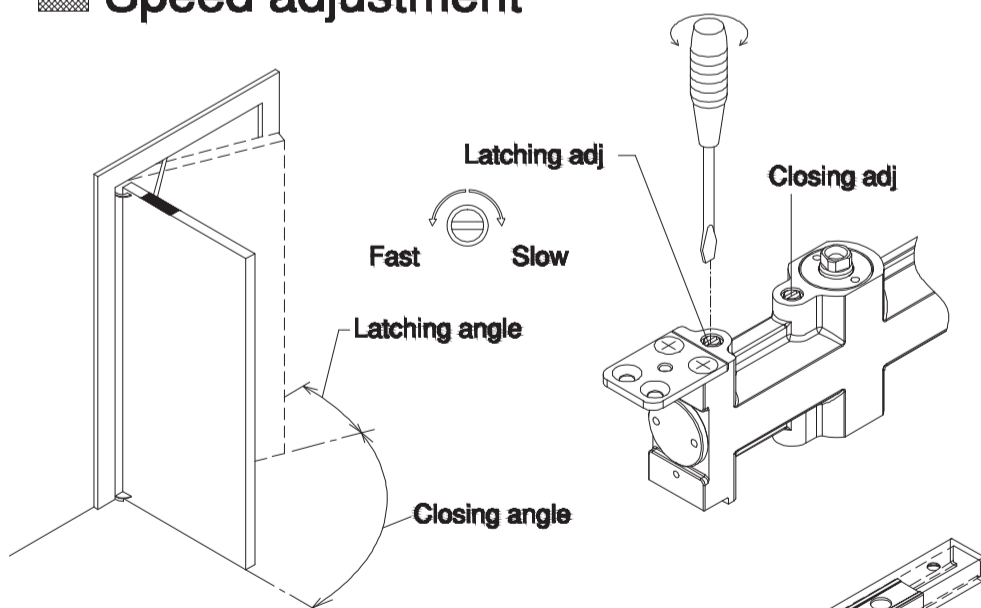
### ④ Connect the main arm to the sliding part in the track and tighten the fixing screw.



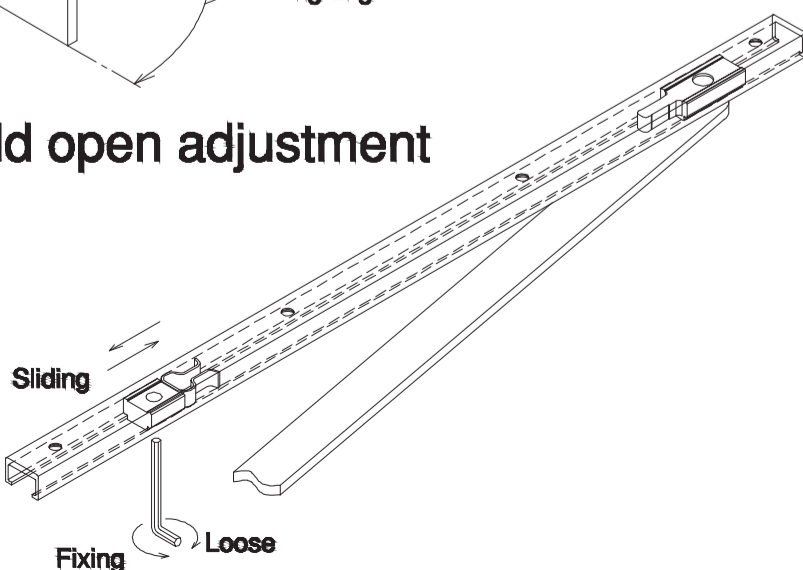
### ⑤ Opening angle and closing speed adjustment



## Speed adjustment

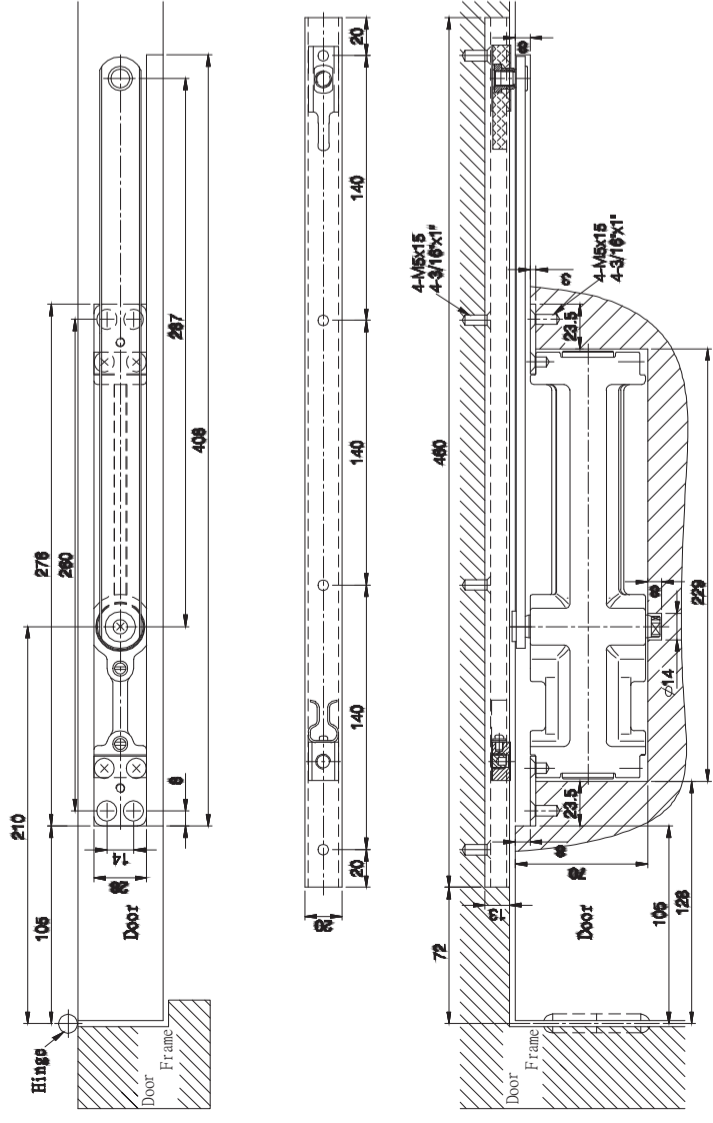


## Hold open adjustment

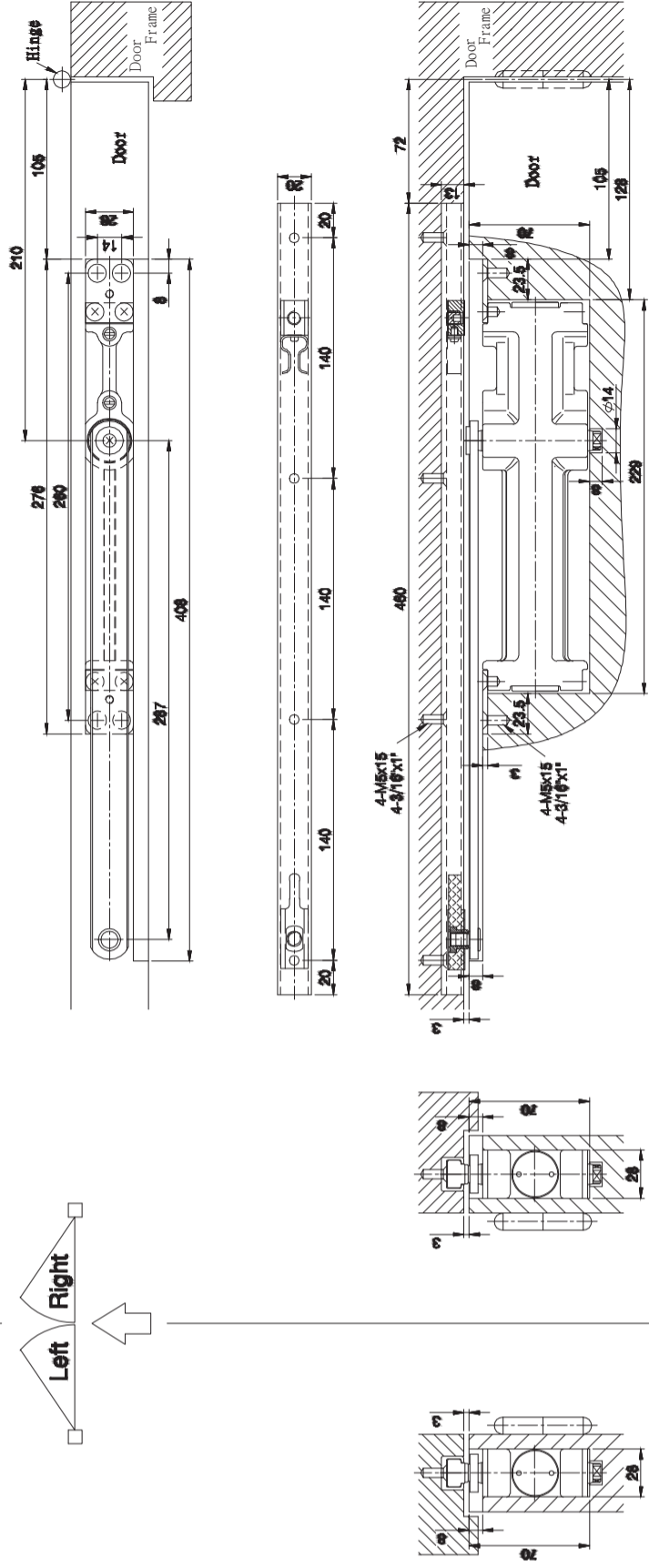


# Concealed Door Closer

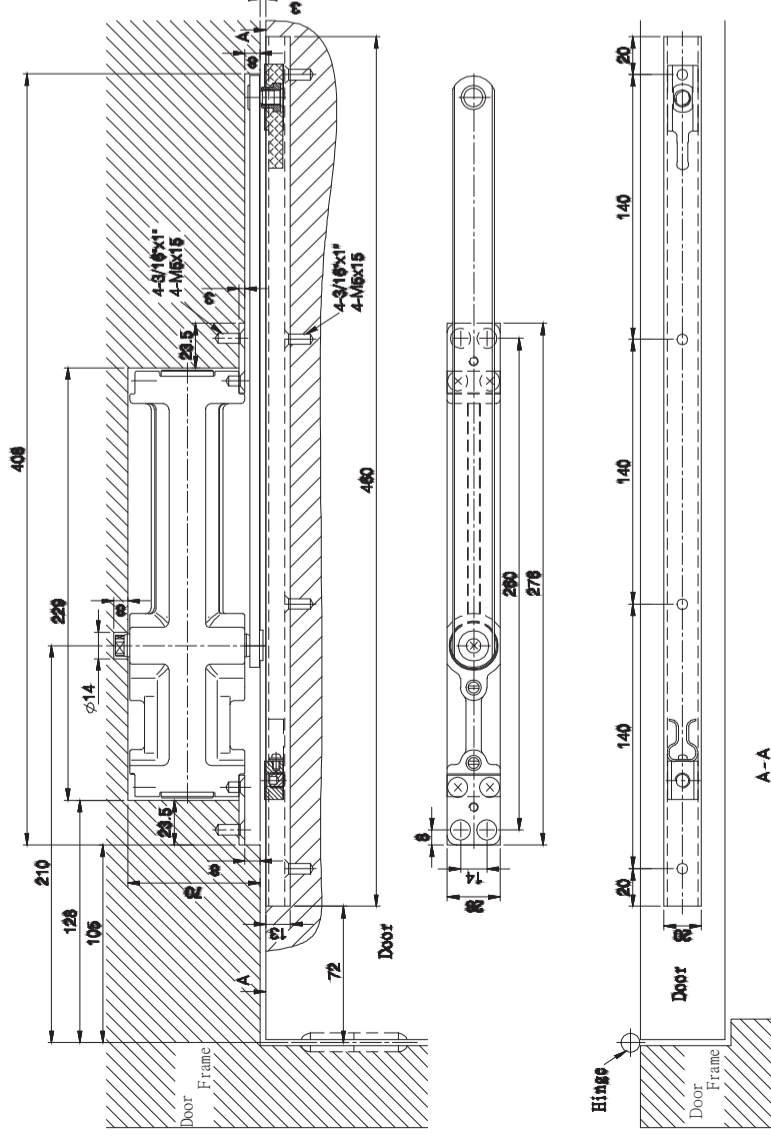
⊗ Left hand opening



⊗ Right hand opening



⊗ Left hand opening  
(Top jamb installation)



⊗ Right hand opening  
(Top jamb installation)

