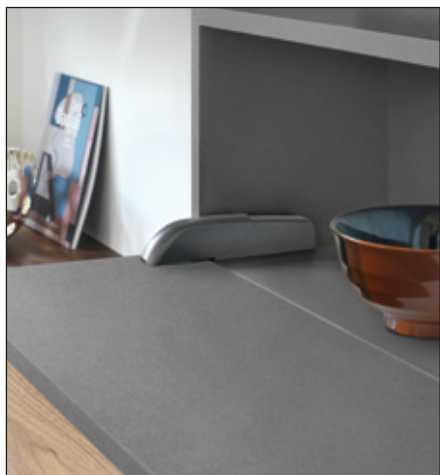


Pacta
SALICE



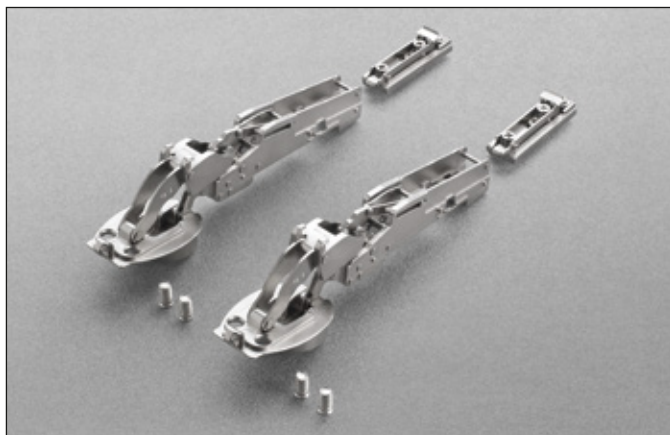
Pacta is a compact hinge for fall flaps which operates without the need for additional stays or cables.

Pacta confers a decelerated opening action and the fall of the door is gradual and controlled.

In the fully-open position, the door and base panel are aligned, creating a uniform and flat surface.

Available with Push self-opening system, Pacta comes in a variety of finishes. Its applications are numerous: in living room and kitchen cabinets, to create desks in children's furniture or for writing surfaces and table extensions in hotel furniture.





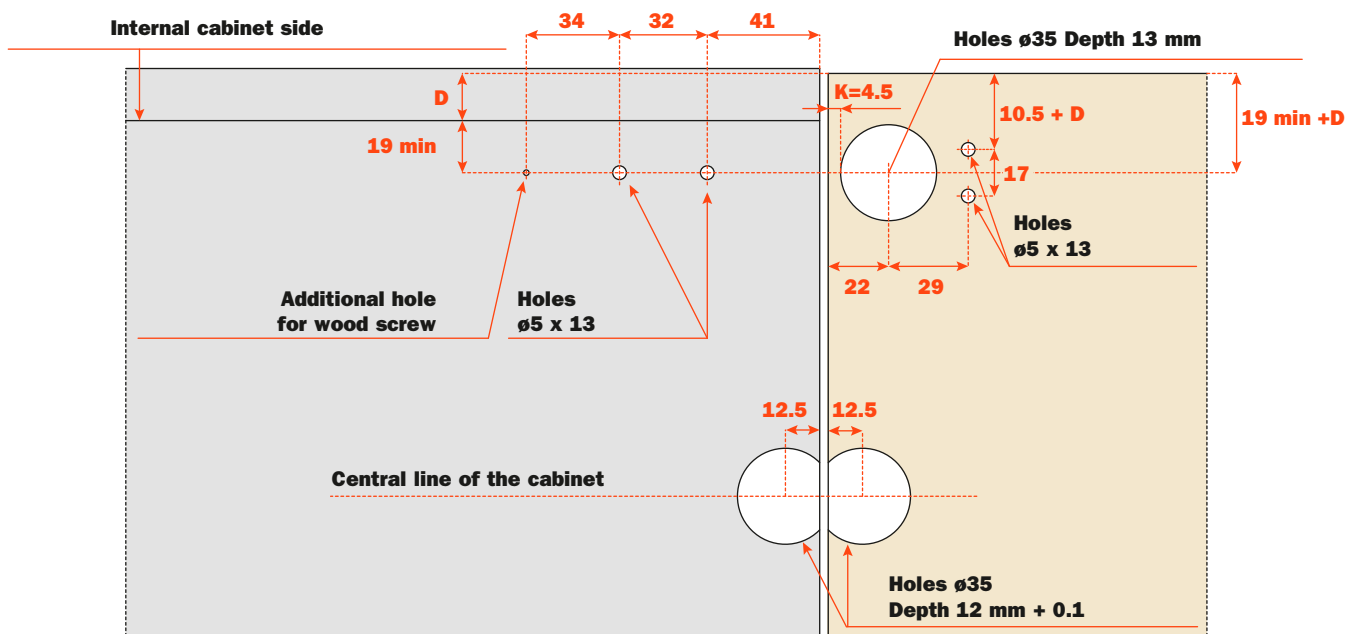
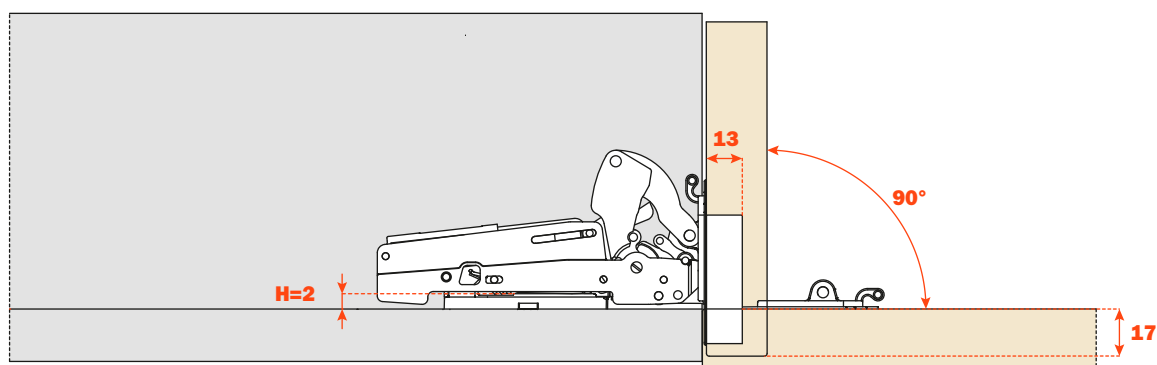
Technical information

**Hinge for flap doors with decelerated opening.
Sprung closing action.**

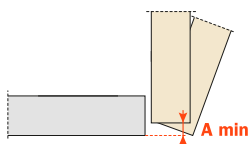
Fixing to the base of the cabinet with longitudinal snap-on mounting plate (BAPGR29/16).
Standard drilling of the door \varnothing 35.
13 mm deep cup.
90° opening.
Fixed K = 4.5 mm.

Pacta is tested and certified to level 3 of UNI EN 15828:2010

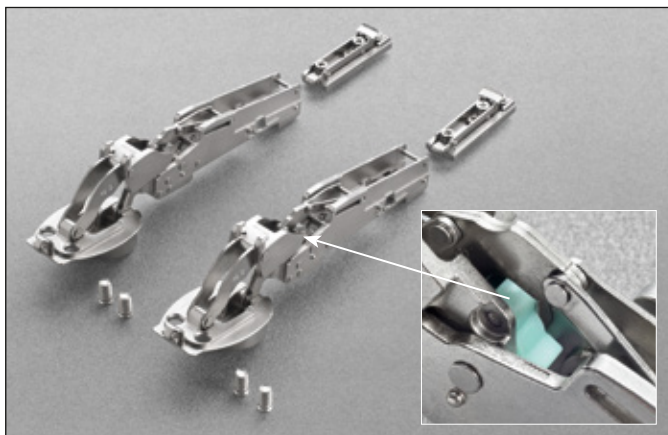
Drilling patterns



Space needed to open the door



	T=	16	17	18	19	20	21	22	23	24	25	26	27	28
K=4.5	A=	1.3	2.1	3	3.9	4.8	5.7	6.6	7.5	8.5	9.4	10.4	11.3	12.3



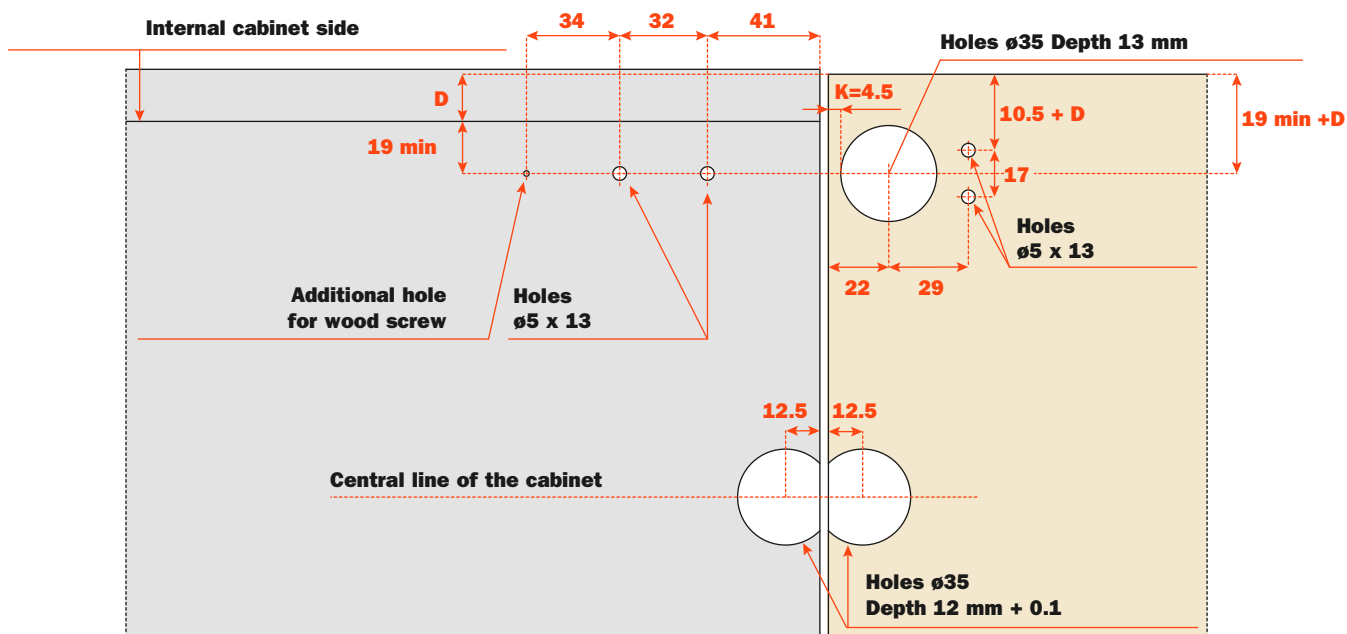
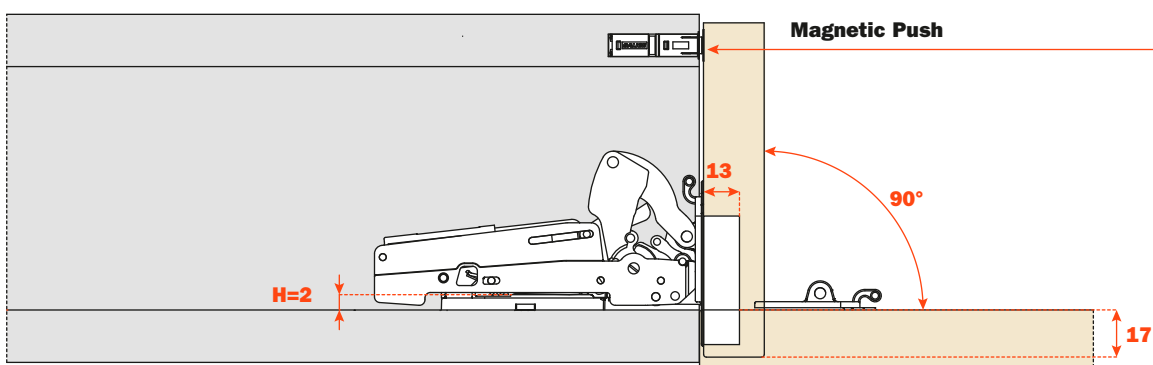
Technical information

**Hinge for flap doors with decelerated opening.
Push opening.**

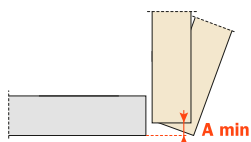
Fixing to the base of the cabinet with longitudinal snap-on mounting plate (BAPGR29/16).
Standard drilling of the door \varnothing 35.
13 mm deep cup.
90° opening.
Fixed K = 4.5 mm.

Pacta is tested and certified to level 3 of UNI EN 15828:2010

Drilling patterns

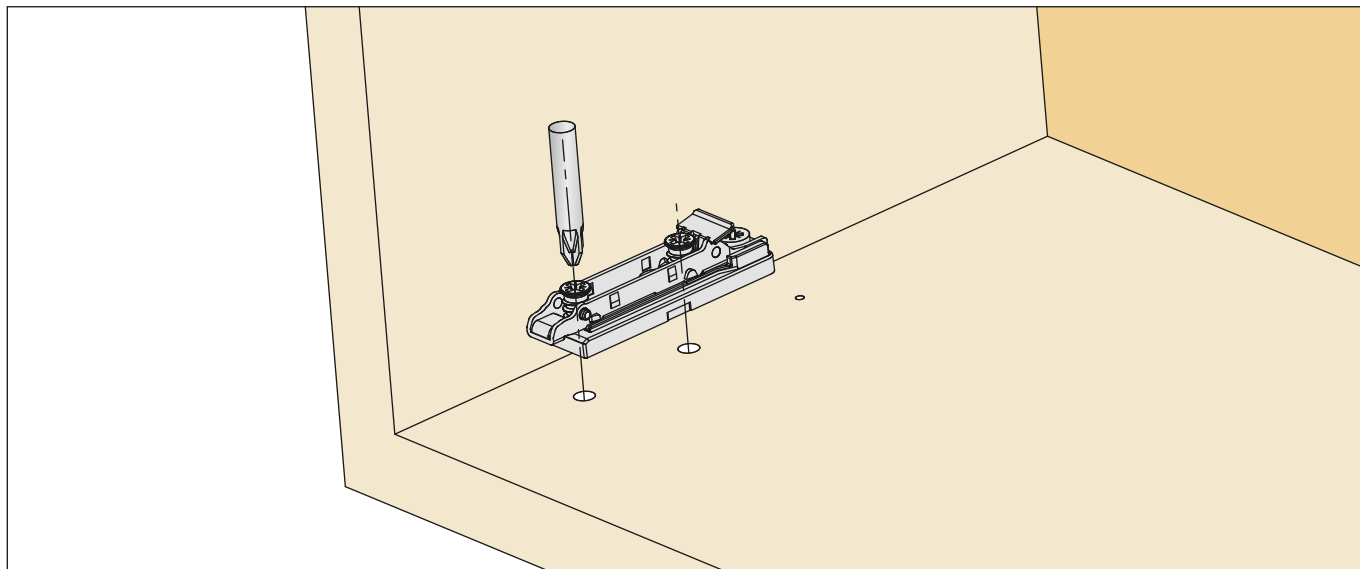


Space needed to open the door

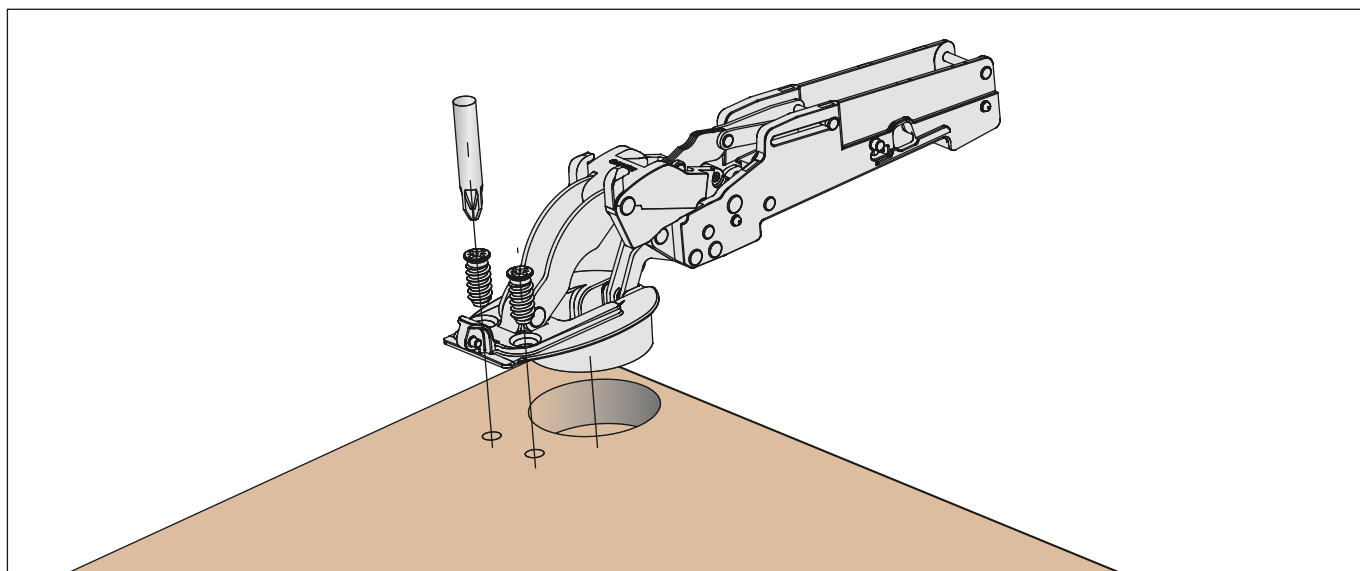


T=	16	17	18	19	20	21	22	23	24	25	26	27	28	
K=4.5	A=	1.3	2.1	3	3.9	4.8	5.7	6.6	7.5	8.5	9.4	10.4	11.3	12.3

Fixing the mounting plate to the cabinet

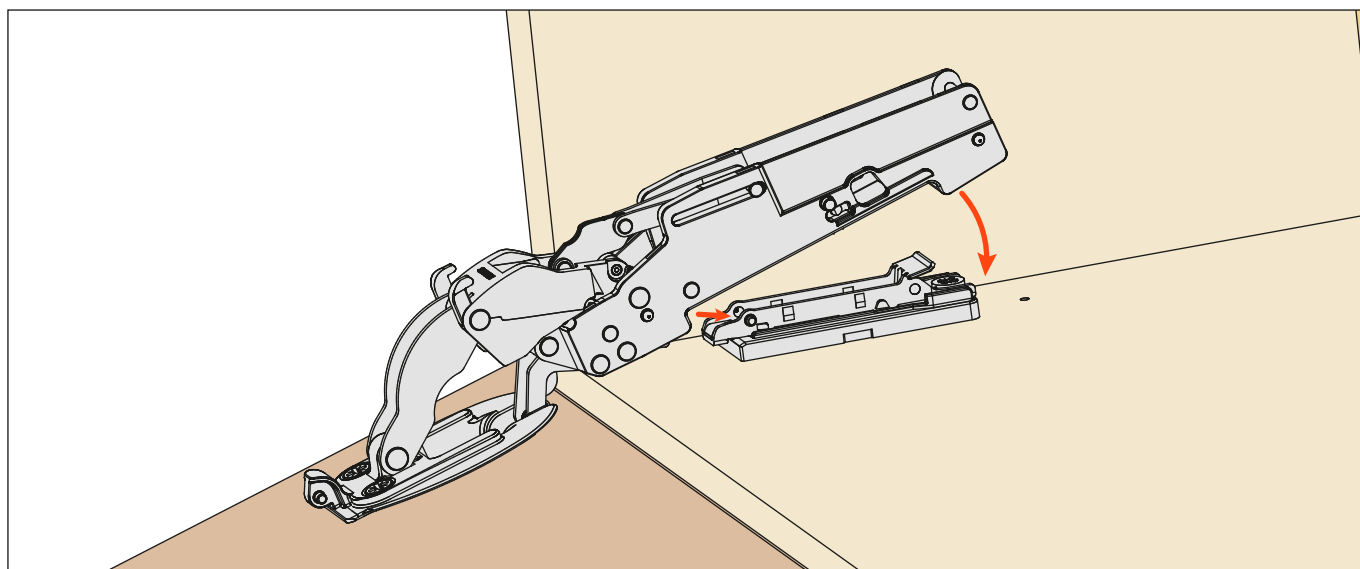


Fixing the hinge to the door

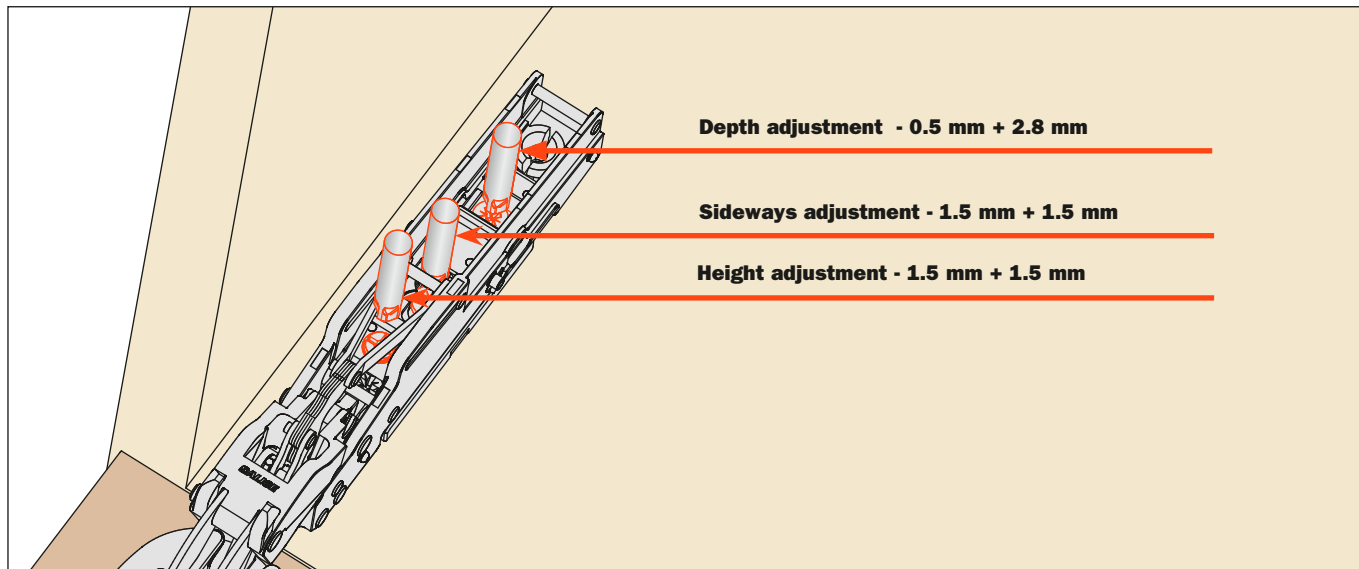


Mounting the door onto the cabinet

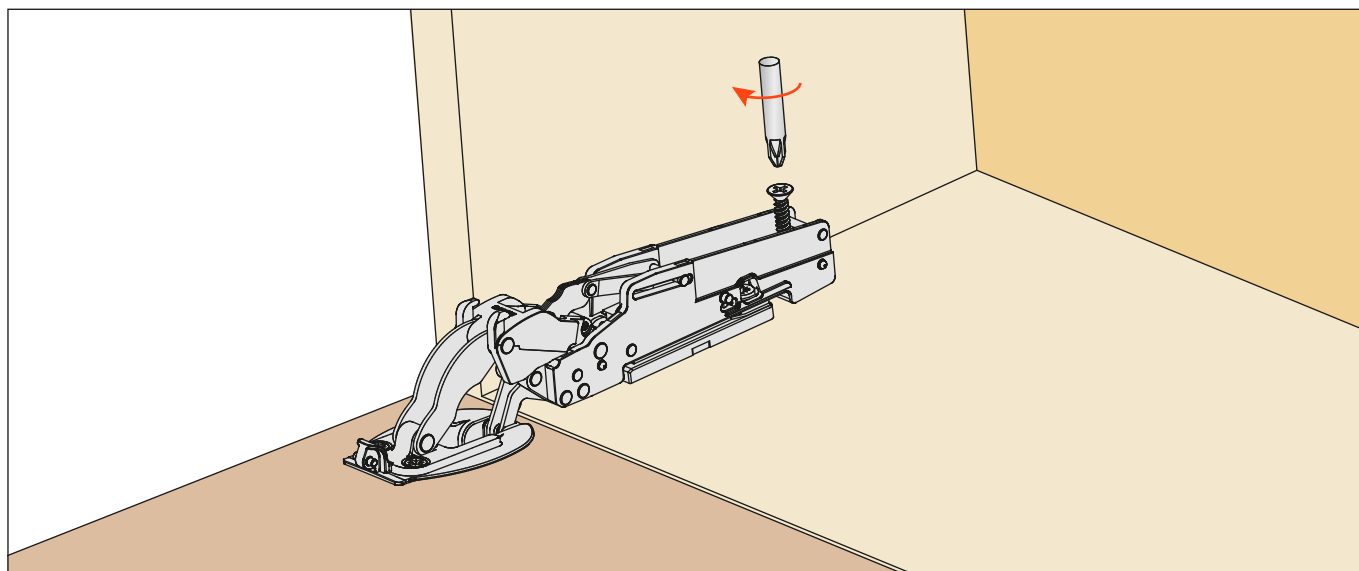
Clip the hinge arm onto the mounting plates. This operation is tool free.



Adjustments

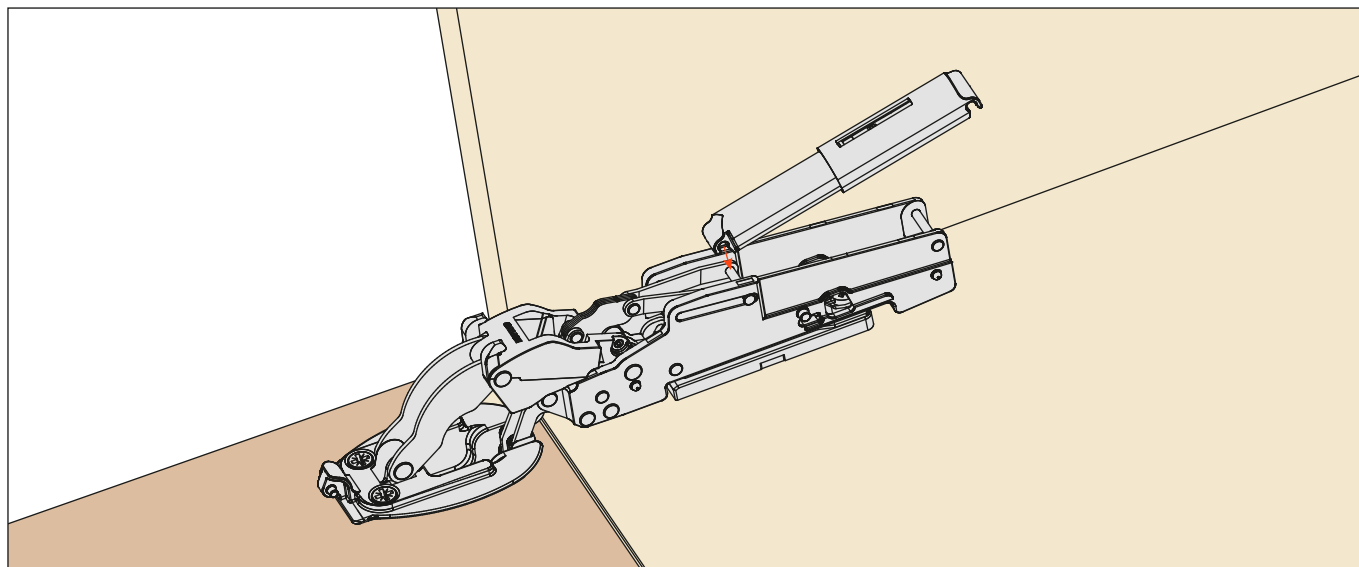


Fix the security screw

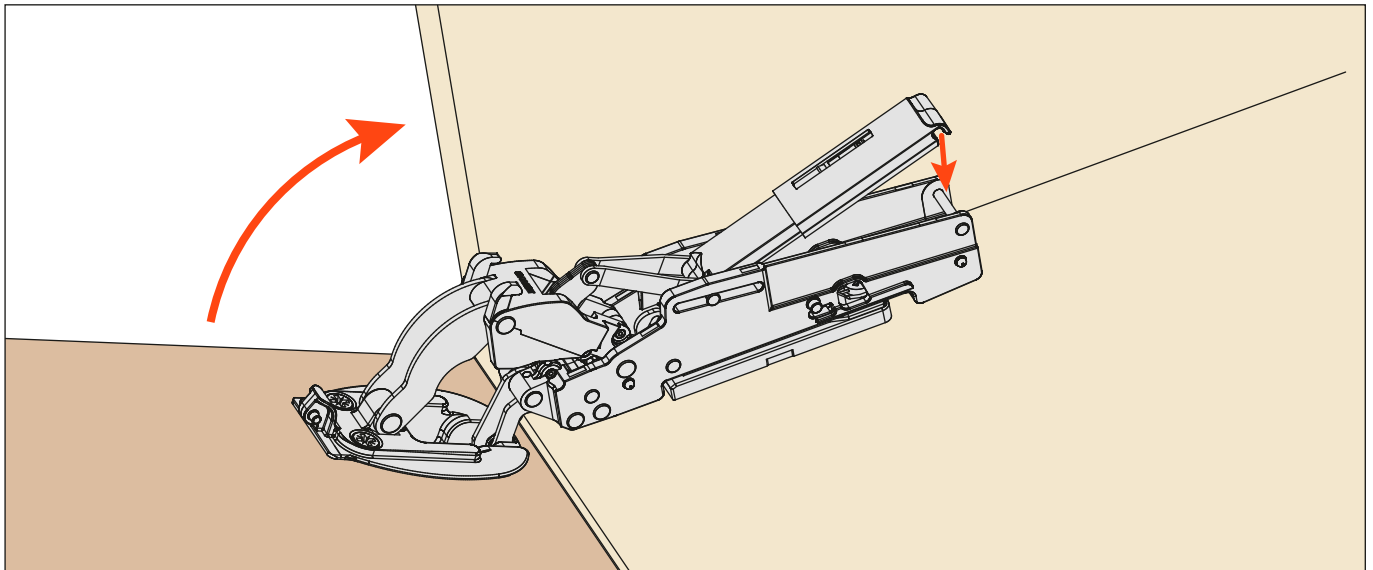


Installing the Smove

Clip the narrow end of the Smove into position. This operation is tool free.

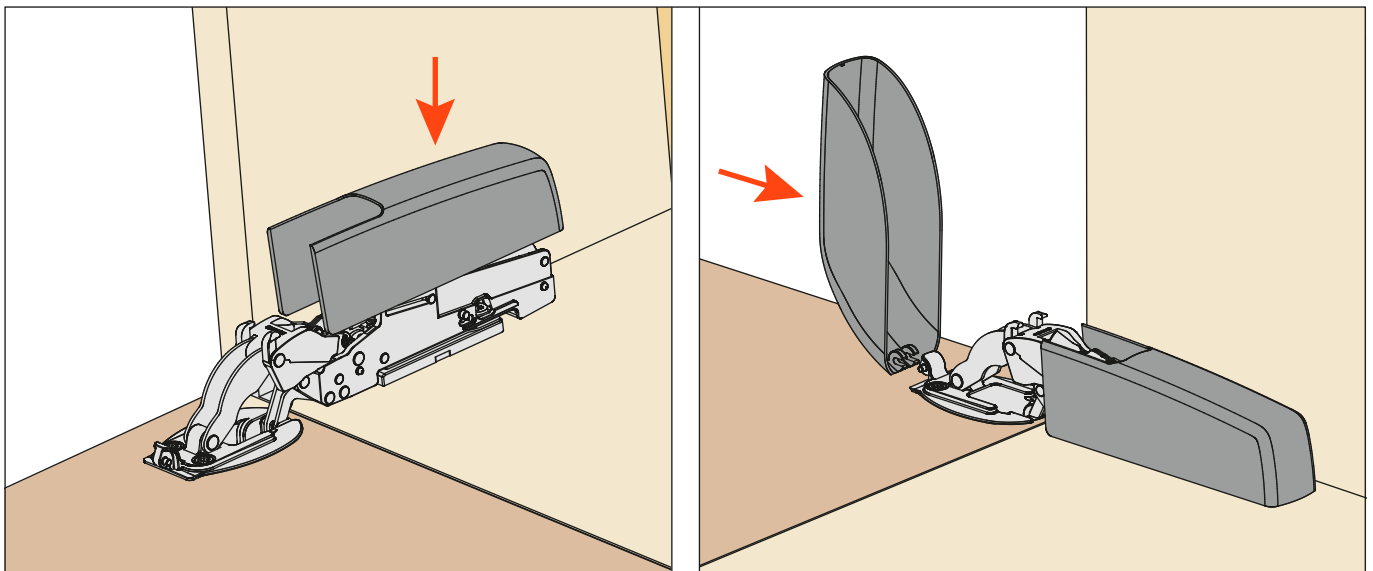


Lift the flap slightly and clip the other end of the Smove into position. This operation is tool free.

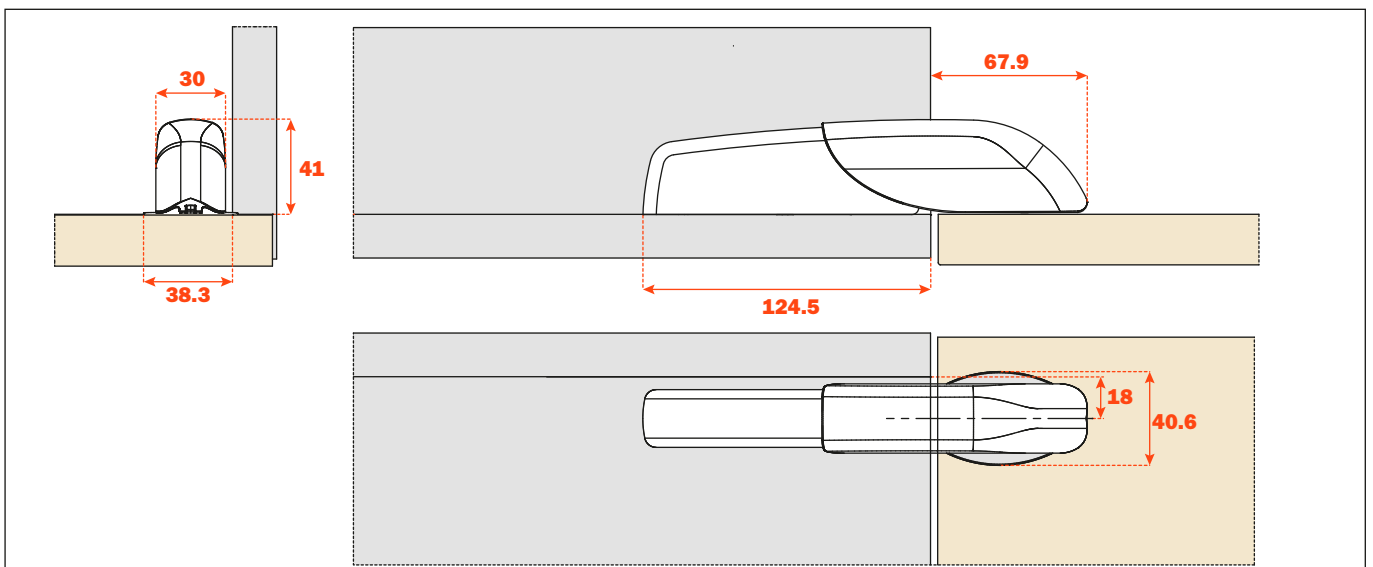


Installing the cover

Firstly install the cover on the hinge arm and then to the cup.



Dimensions

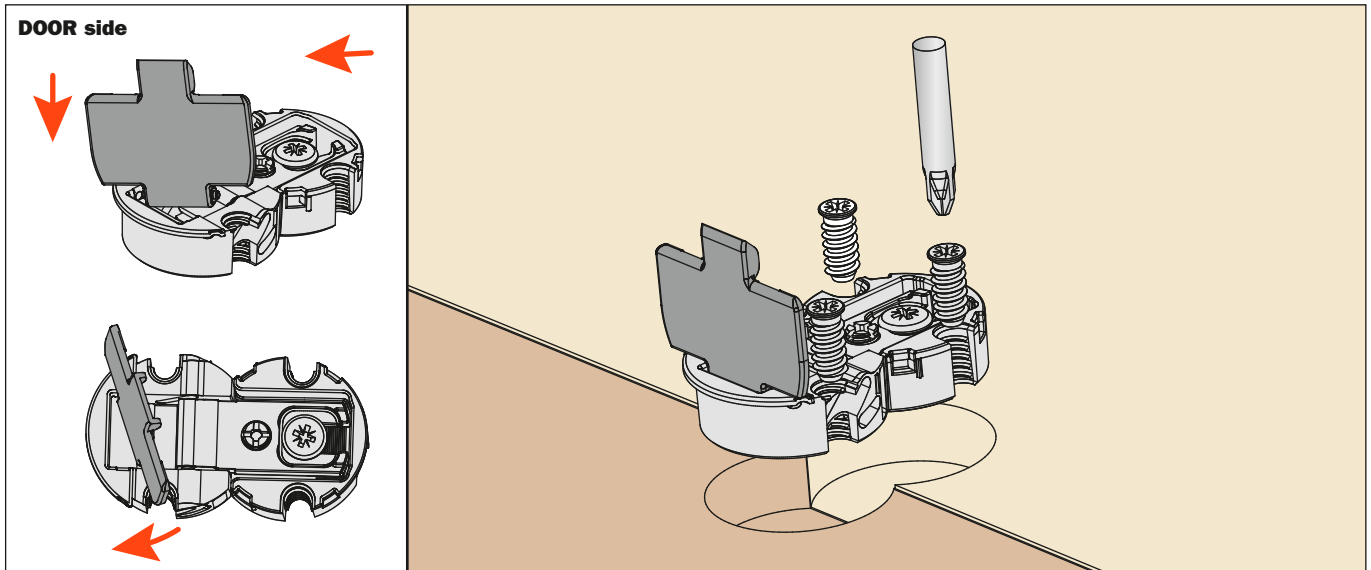


Assembly instructions for the central hinge

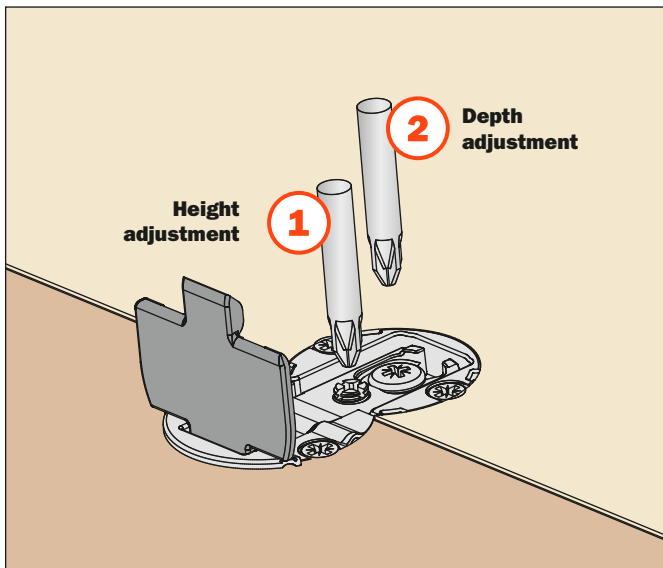
Application of the central hinge

We suggest that you use the central hinge for cabinets over 900 mm width.

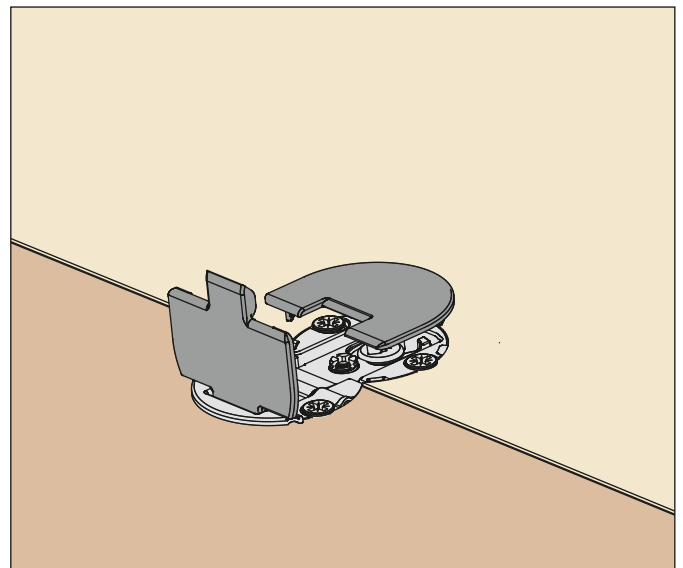
Install the cover cap onto the hinge according to the drawing and then screw-fix the hinge to the cabinet.



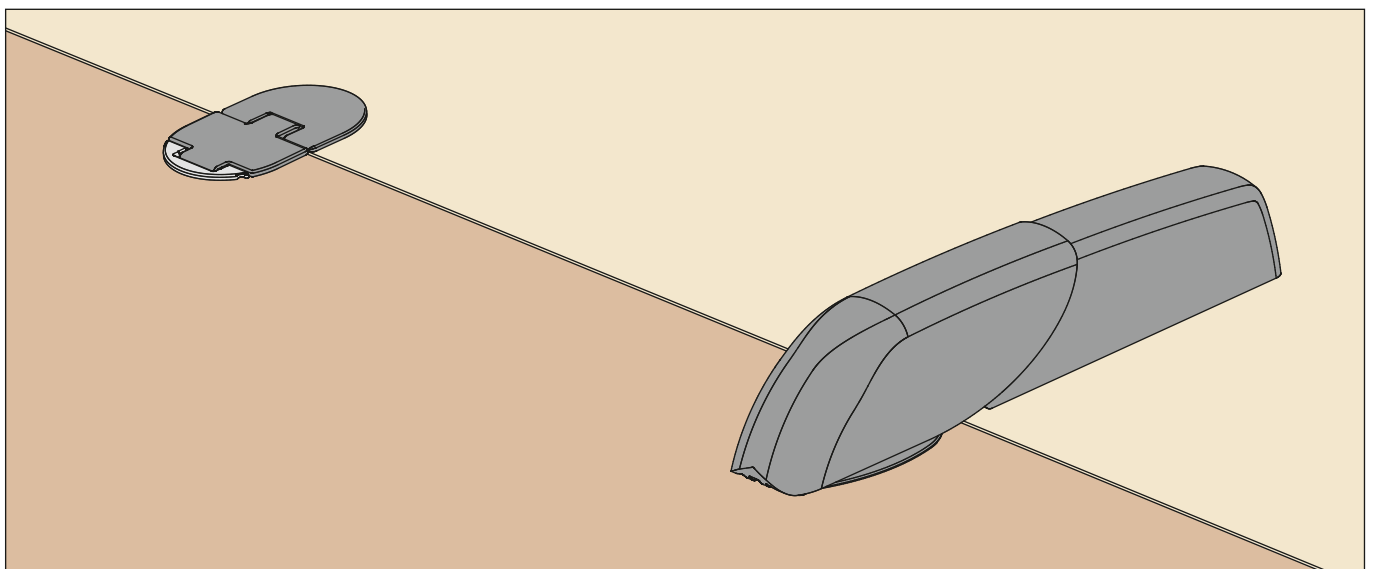
After fixing the hinge, make any adjustments required



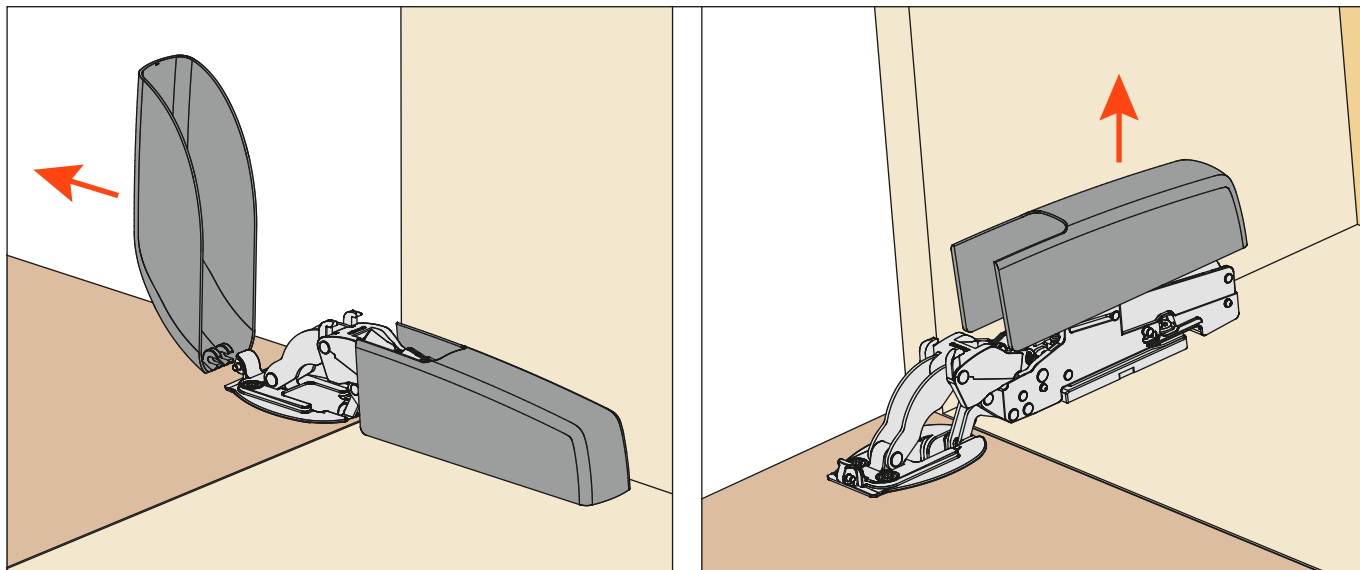
Install the cover cap onto the hinge on the cabinet side



Overall view of the mounted system

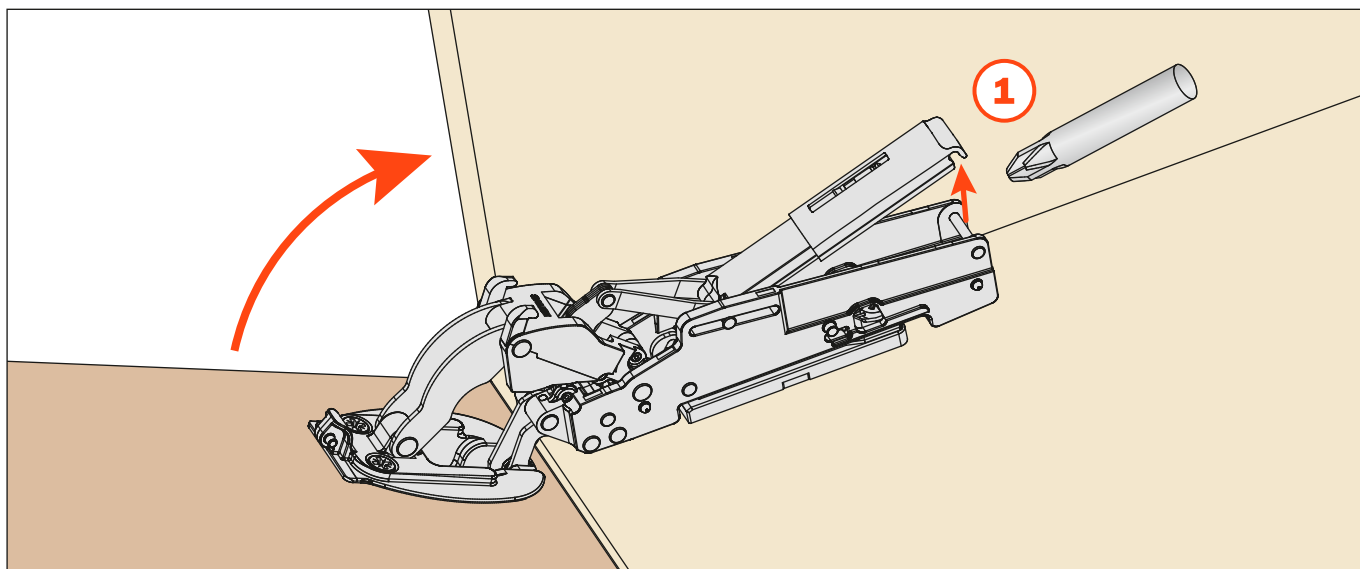


Removal of the cover

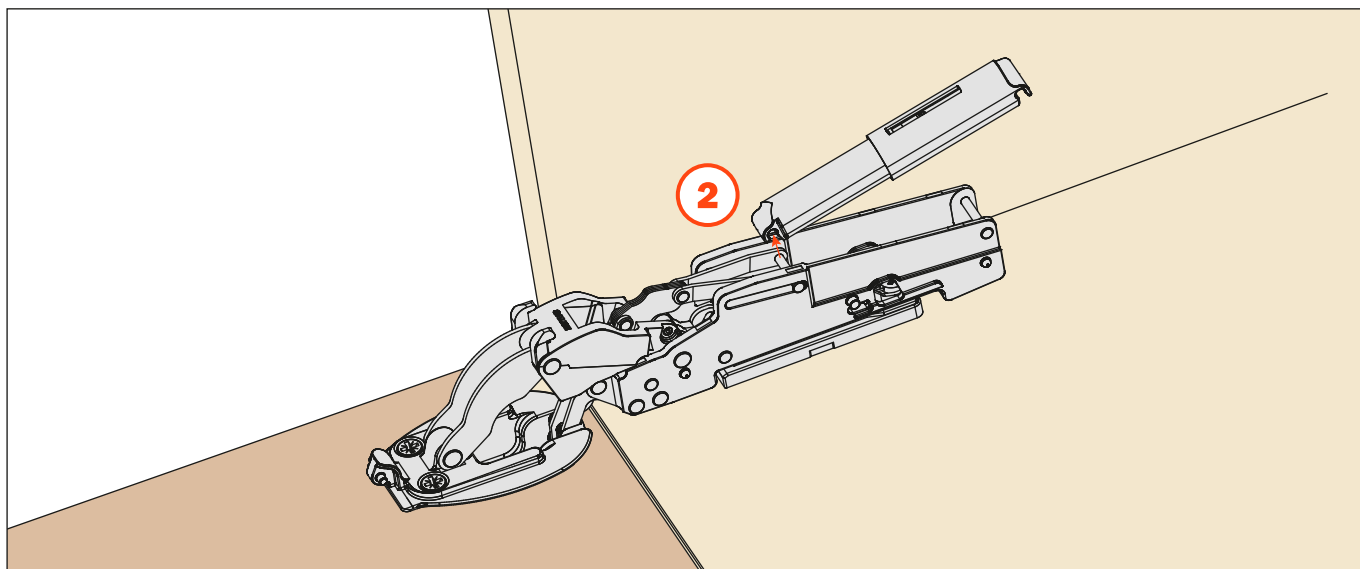


Disassembly of the Smove

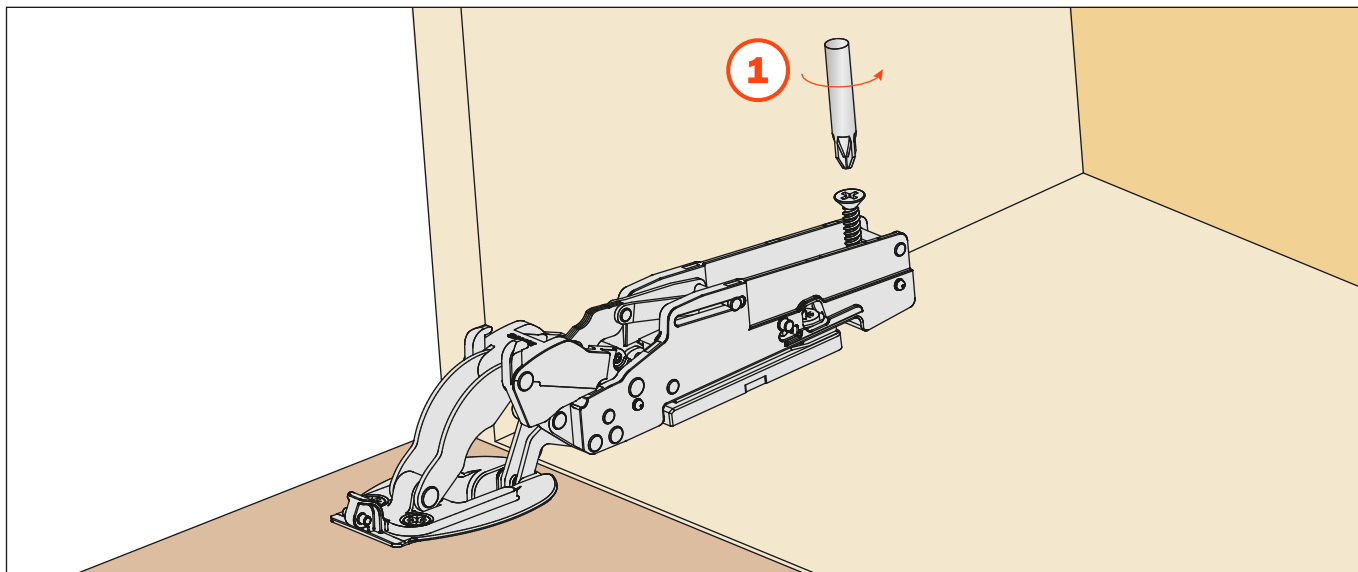
Lift the flap slightly and unclip the back of the Smove using a screwdriver.



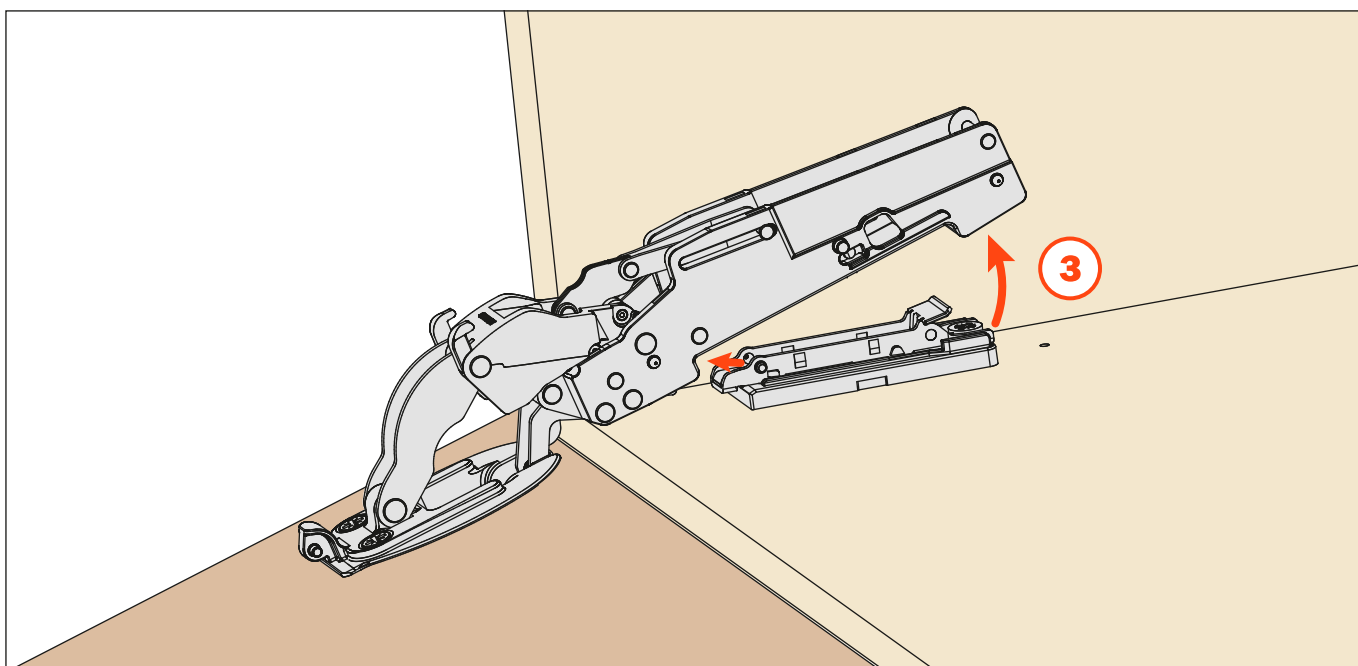
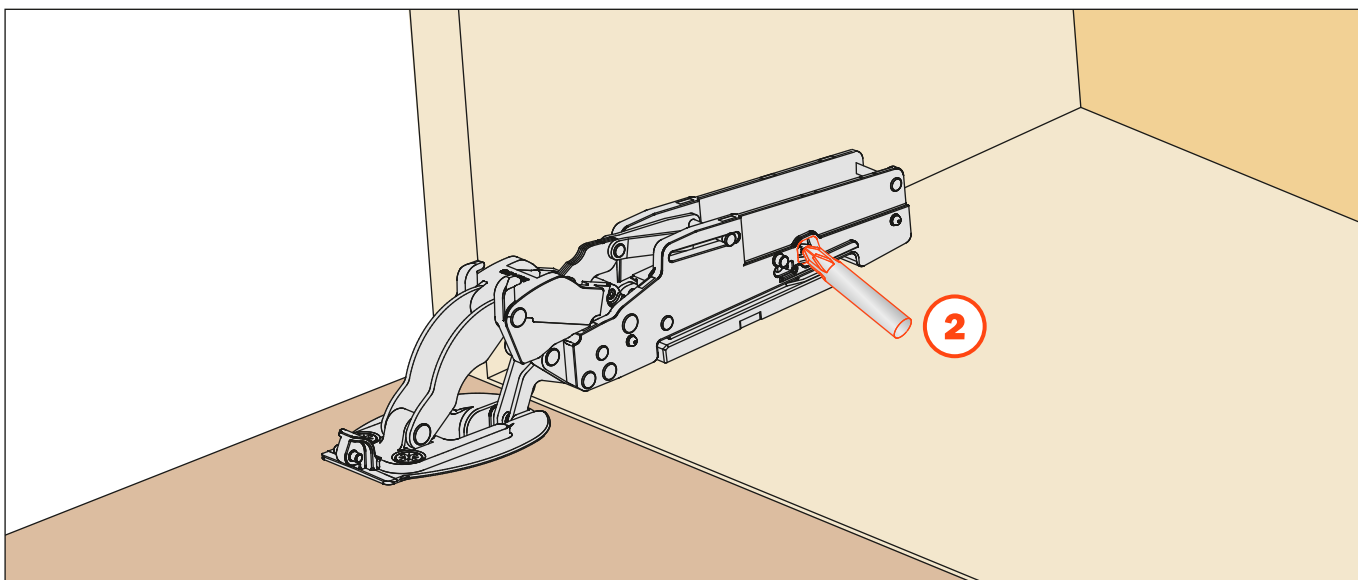
Remove the other end of the Smove.



Remove the security screw

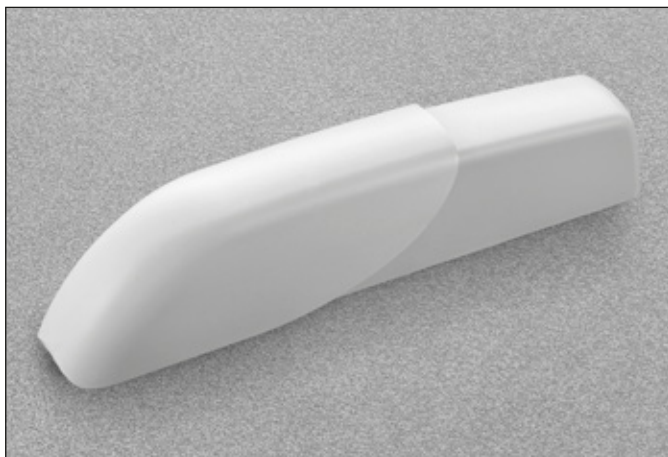


Unfasten the hinge from the mounting plate with a screwdriver



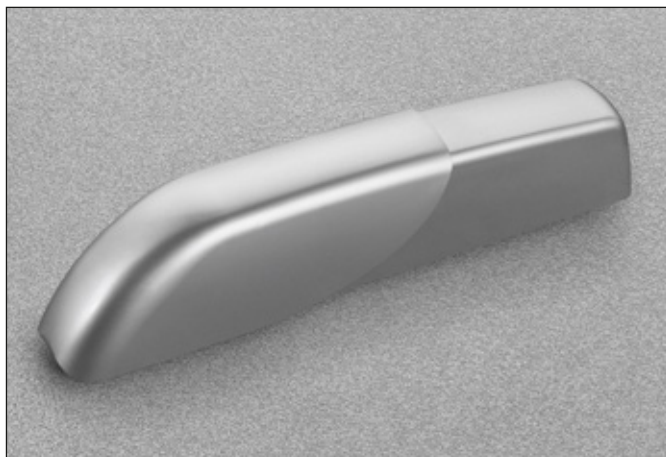
SRXB78A1XXXX_

White



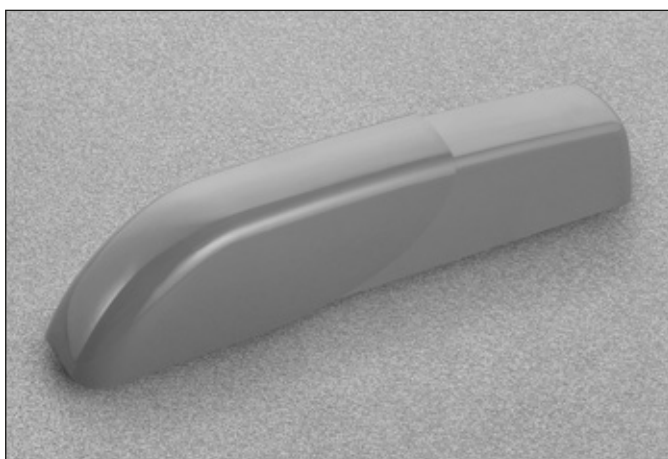
SRXB78AIXXXX_

Stainless steel



SRXB78AMXXXX_

Grey



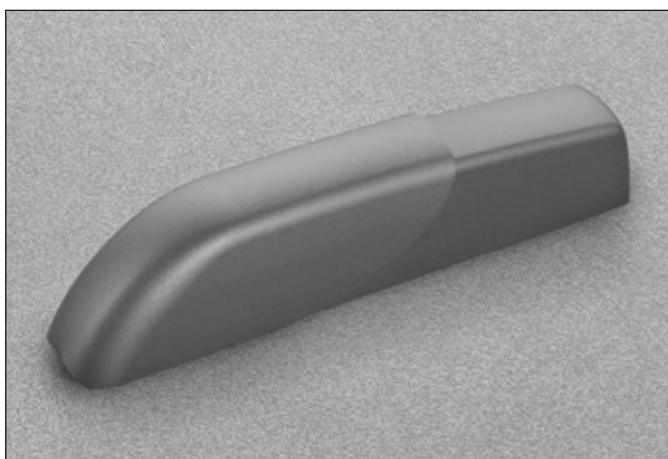
SRXB78ACXXXX_

Champagne



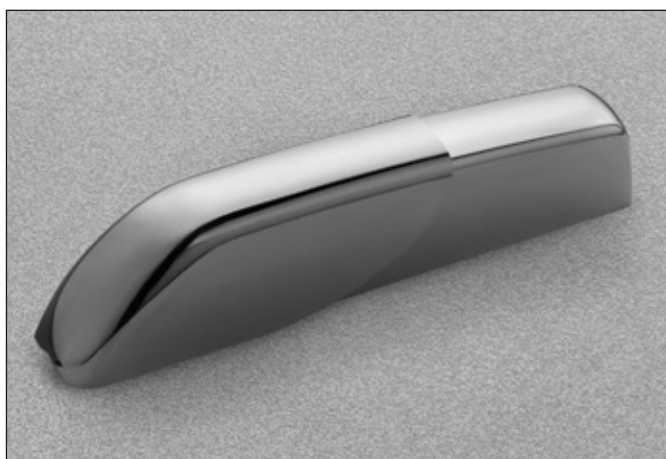
SRXB78A0XXXX_

Satin metal black



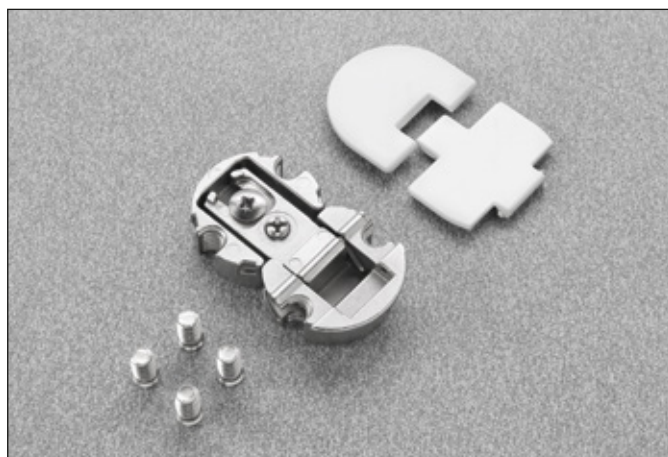
SRXB78ANXXXX_

Glossy metal black



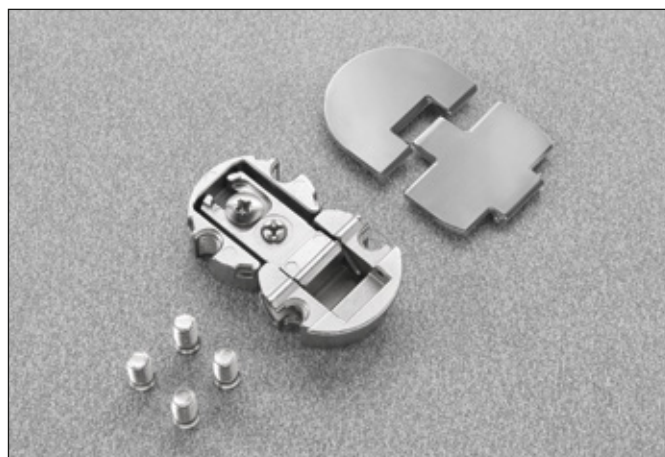
FRCK59RXXX1

White



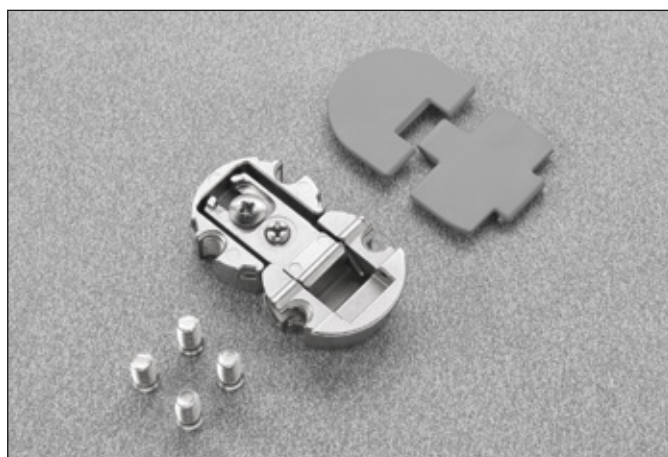
FRCK59RXXXI

Stainless steel



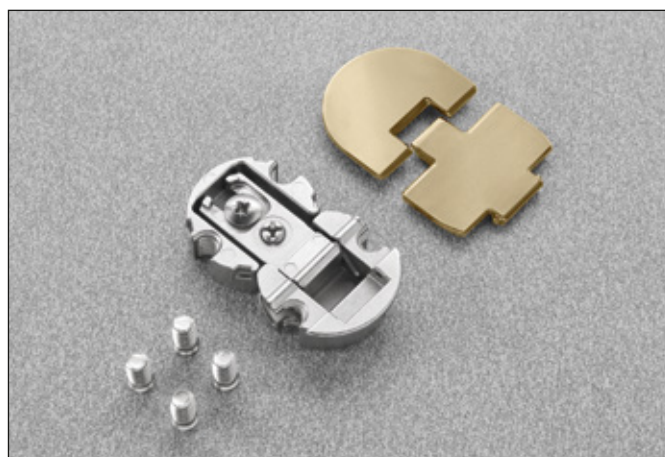
FRCK59RXXXM

Grey



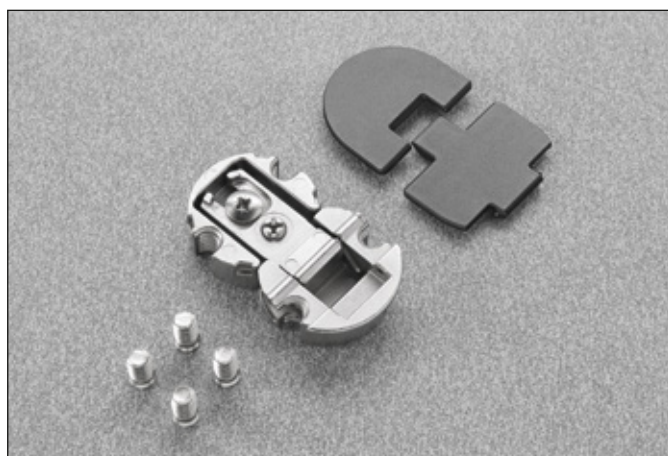
FRCK59RXXXC

Champagne



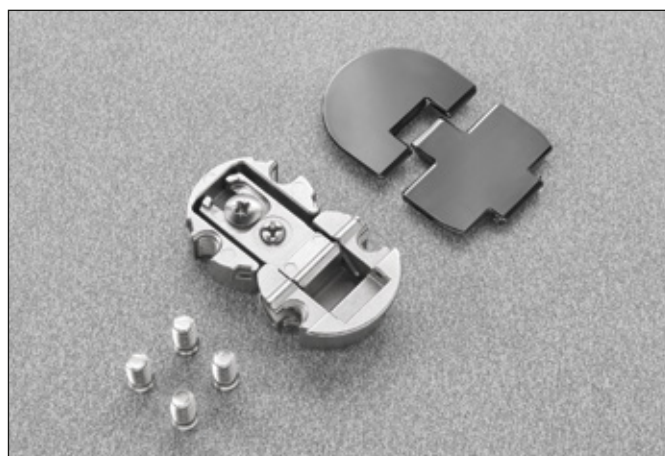
FRCK59RXXX0

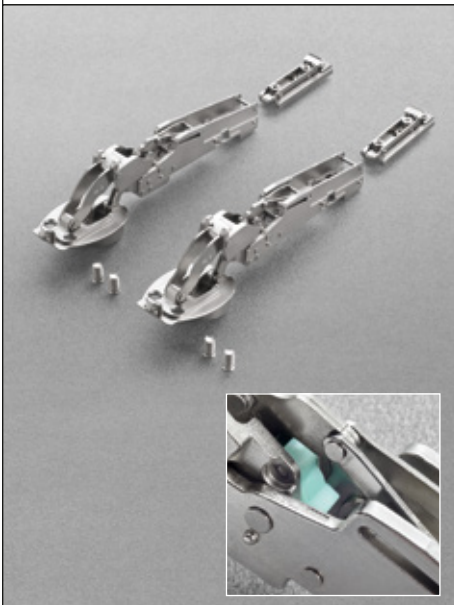
Satin metal black





FRCK59RXXXN

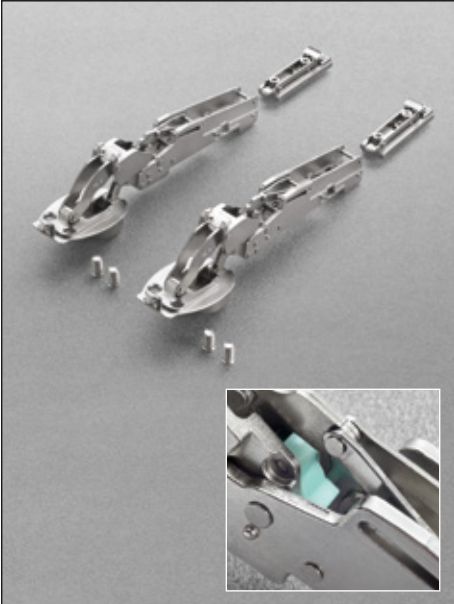
Glossy metal black



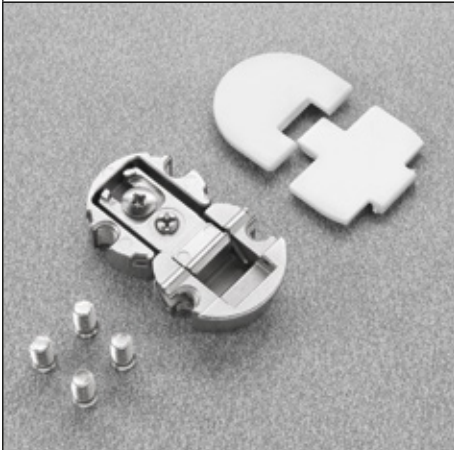
INDUSTRIAL PACKING	PART NUMBER	CARTON	PALLET
	<p>SPRUNG CLOSING ACTION</p> <p>FRBKINXXSN9</p>	<p>1 carton contains:</p> <p>18 hinges</p> <p>•</p> <p>18 mounting plates</p> <p>•</p> <p>Fixing screws included</p>	<p>24 cartons</p>
	<p>PUSH OPENING</p> <p>FRBKINPXS9</p>		

SMOVE INDUSTRIAL PACKING	PART NUMBER	CARTON	PALLET
	<p>DRB_XXYXI</p> <p>↑</p> <p>SMOVE DECELERATING STRENGTH</p>	<p>1 carton contains:</p> <p>18 pcs.</p>	<p>24 cartons</p>

COVER INDUSTRIAL PACKING	PART NUMBER	CARTON	PALLET
	<p>SRXB78A_XXXXI</p> <p>↑</p> <p>COLOUR OF THE COVER</p>	<p>1 carton contains:</p> <p>18 covers</p>	<p>24 cartons</p>

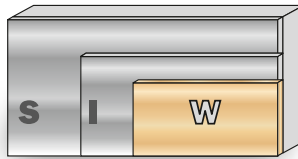
DOOR-SET PACKING	PART NUMBER	CARTON	PALLET
	<p>SPRUNG CLOSING ACTION</p> <p>FRBKFEX_SN9</p> <p>↑</p> <p>SMOVE DECELERATING STRENGTH</p>	<p>1 carton contains:</p> <ul style="list-style-type: none"> 2 hinges · 2 mounting plates · <p>Fixing screws and Smove included</p>	<p>180 cartons</p>
<p>PUSH OPENING</p> <p>FRBKFEP_SN9</p> <p>↑</p> <p>SMOVE DECELERATING STRENGTH</p>			

COVER DOOR-SET PACKING	PART NUMBER	CARTON	PALLET
	<p>SRXB78A_XXXXF</p> <p>↑</p> <p>COLOUR OF THE COVER</p>	<p>1 carton contains:</p> <ul style="list-style-type: none"> 2 covers 	<p>180 cartons</p>

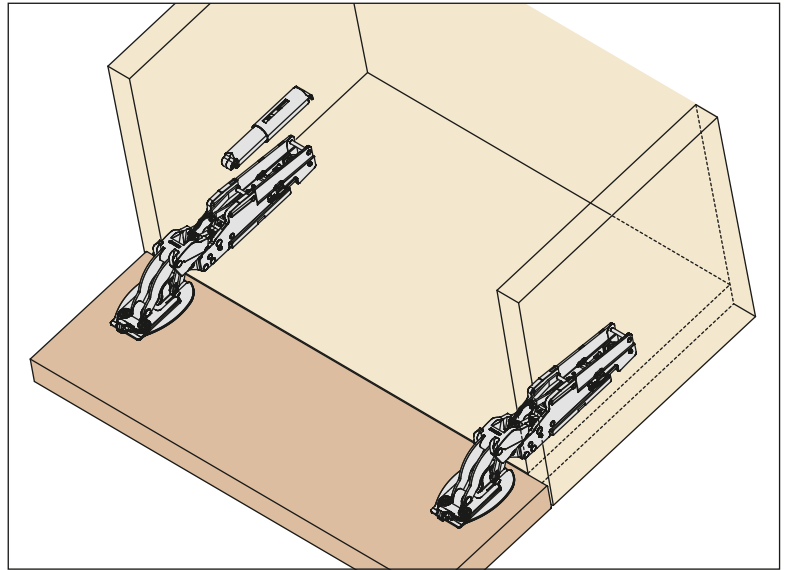
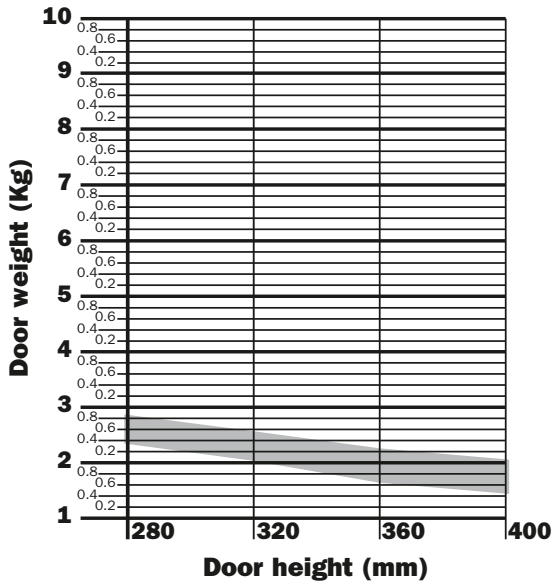
CENTRAL HINGE	PART NUMBER	CARTON	PALLET
	<p>FRCK59RXXX</p> <p>↑</p> <p>COLOUR OF THE COVER CAP</p> <p>Suggested for cabinets over 900 mm width</p>	<p>1 carton contains:</p> <ul style="list-style-type: none"> 45 hinges 45 cover caps for door 45 cover caps for cabinet · <p>Fixing screws included</p>	<p>36 cartons</p>

Charts to determine which Smove is to be used for a particular door size and weight. We recommend that all applications are verified by a practical trial.

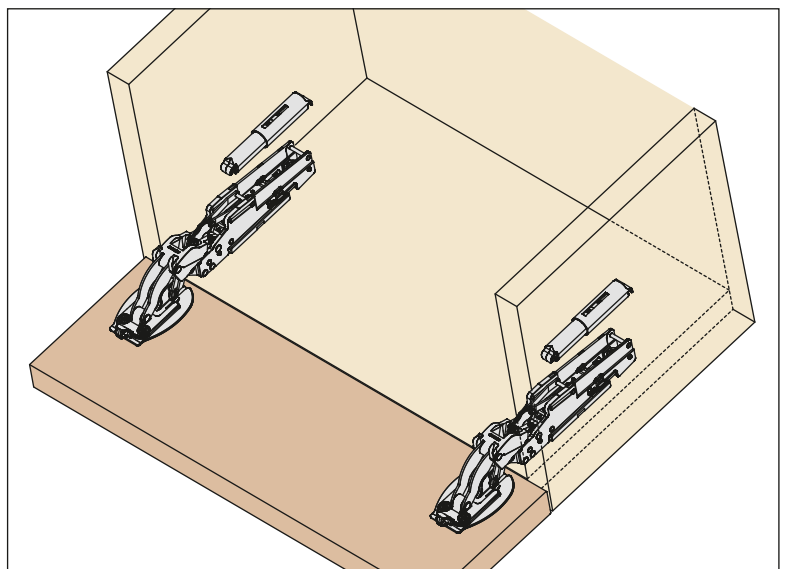
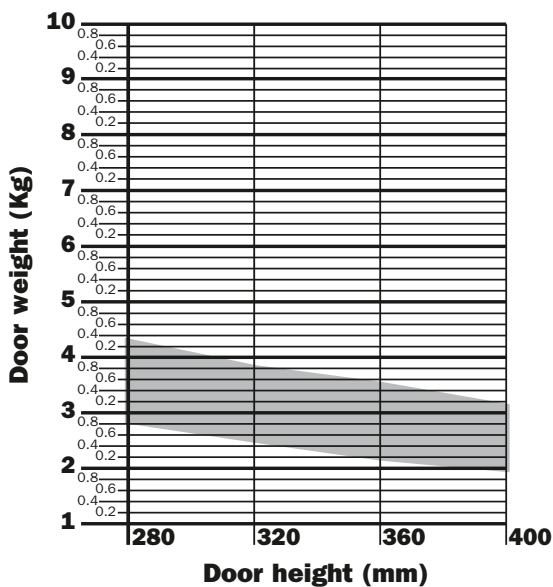
DRBWXXYXI



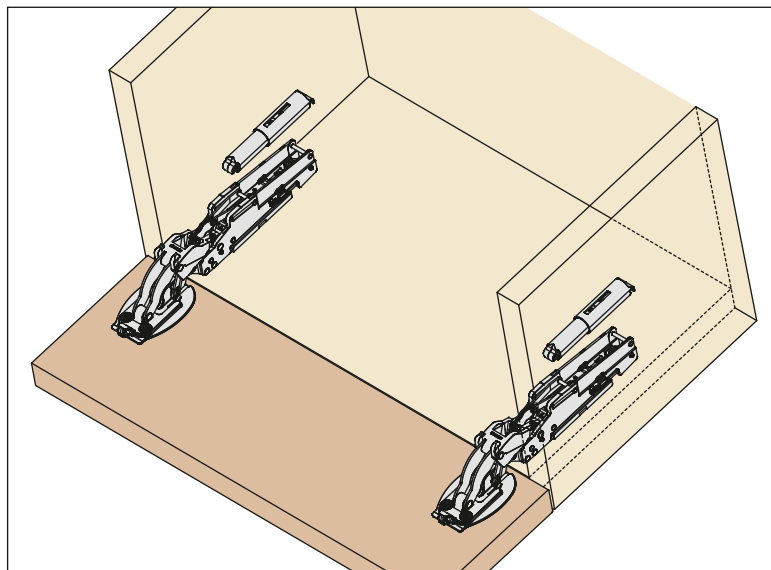
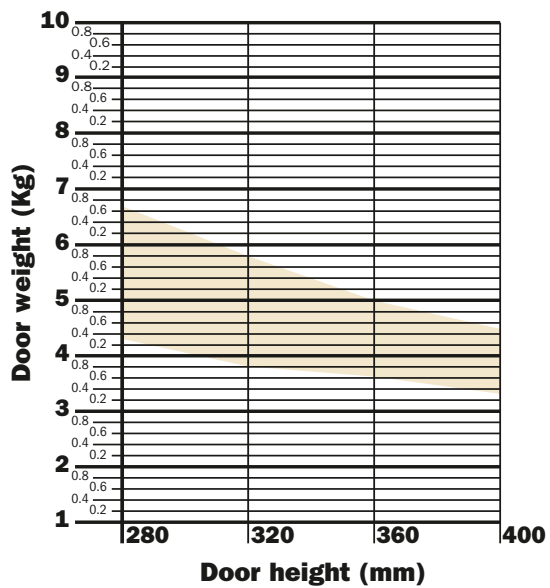
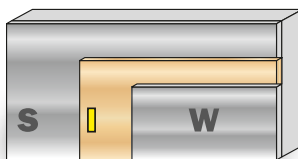
With particularly light doors, it may be sufficient to use only one Smove



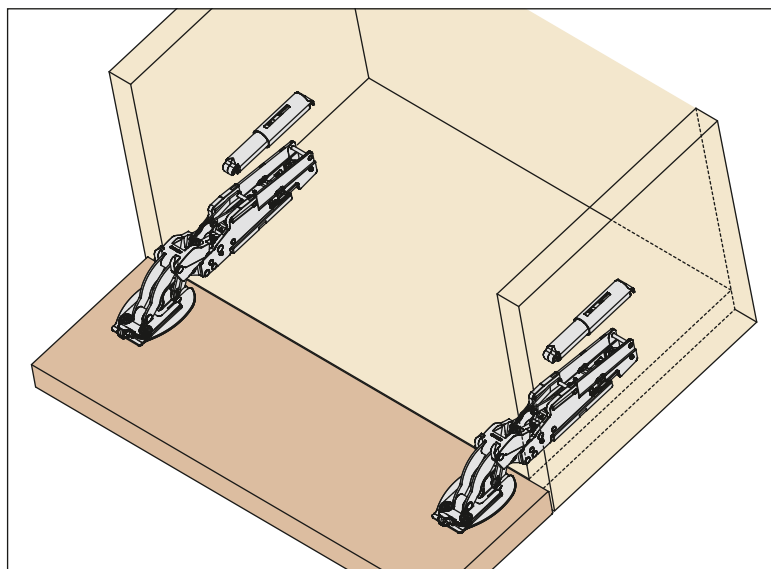
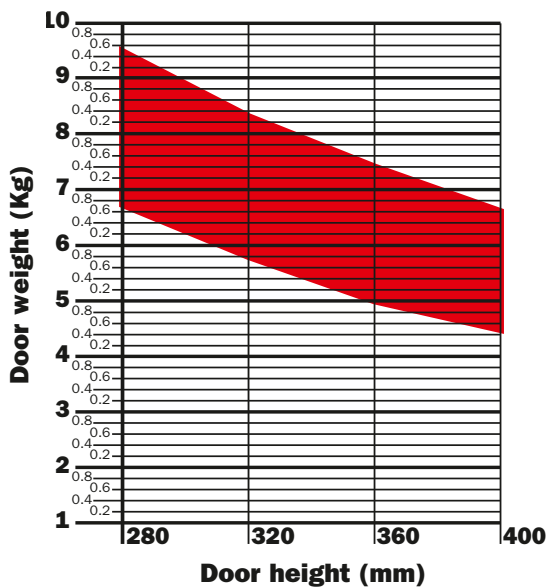
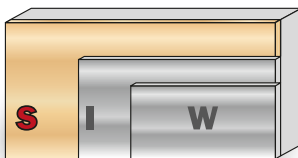
DRBWXXYXI



DRBIXXYXI



DRBSXXYXI



Magnetic Push



Magnetic Push - Recessed magnetic release device and retaining catches

DPMSNB - beige



DPMSNG - grey



Magnetic catch
ø 10 mm, 40 mm length.

Packing

Boxes 250 pcs.
Cartons 1.500 pcs.

DPASNB - beige



DPASNG - grey



Optional supplementary magnetic catch to increase the holding strength. It must always be used together with the DPM. The suggested position of the DPM is the point of pressure on the door. The DPA can be positioned at any point along the opening edge of the door.
ø 10 mm, 40 mm length.

Packing

Boxes 250 pcs.
Cartons 1.500 pcs.

DP39XXG



Adjustable magnetic retaining catch.
ø16.6 mm

Packing

Boxes 250 pcs.

DP28SN9



Pin-fix striker for magnetic catches.
ø 11.5 mm.

Packing

Boxes 250 pcs.

DP38XX91



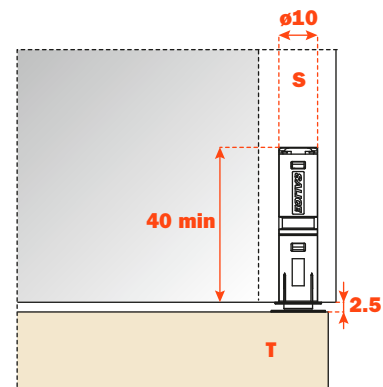
Self-adhesive striker for magnetic catches.
20x14 mm.

Packing

Boxes 250 pcs.

Application of the standard magnetic catch

Drill a hole \varnothing 10 mm and min. 40 mm depth in the top, the side or the base panel of the cabinet.
Insert the release device into the hole.

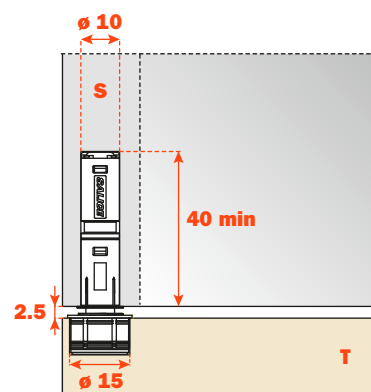


Inserted adjustable magnetic catch

The retaining catch DP39 is itself magnetic and together with the magnetism of the release device DPM considerably increase (30%) the holding strength of the door against the cabinet side, thus avoiding accidental openings.

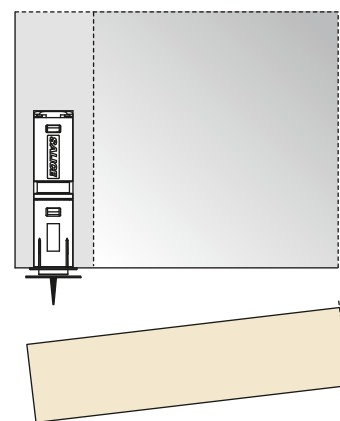
For the installation it is necessary to drill a hole \varnothing 15 mm and 11 mm depth in the door.

Depth adjustment from -0.5 mm to +2.5 mm.



Pin-fix striker

Apply the retaining catch to the magnetic release device.
Close the door.
The point of the retaining catch will show where to insert it.
Reopen the door and drive in the pin to fix in position.



Self-adhesive striker

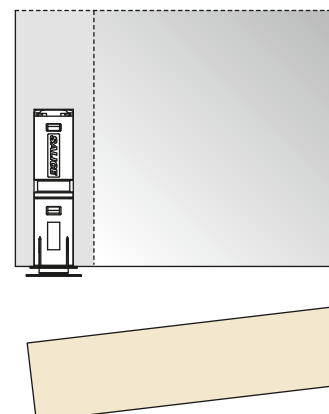
Apply the retaining catch to the magnetic release device. Remove the protective strip from the adhesive. Close the door. In this way the retaining catch is positioned on the door. Reopen the door and apply a firm pressure to the retaining catch to ensure a correct installation.

ATTENTION:

For a correct application and to ensure optimal endurance, we suggest these guidelines are followed:

- 1 - clean and degrease the door surface where the retaining catch is to be installed;
- 2 - remove the protective strip from the adhesive;
- 3 - place the retaining catch in position, in a place that is at room temperature $\geq 10^\circ$ and apply a firm pressure for 10-15 seconds.

After few seconds from the installation the retaining catch is suitable for the use.
After 24h the max. hold is attained.



ARTURO SALICE S.p.A.

VIA PROVINCIALE NOVEDRATESE, 10
22060 NOVEDRATE (COMO) ITALIA
TEL. 031 790424
FAX 031 791508
info.salice@salice.com
www.salice.com

DEUTSCHE SALICE GMBH

RUDOLF DIESEL STR. 10
POSTFACH 1154
74382 NECKARWESTHEIM
TEL. 07233 9807-0
FAX. 07233 9807-16
info.salice@deutschesalice.de
www.deutschesalice.de

DEUTSCHE SALICE GMBH

VERKAUFSBÜRO NORD
RINGSTRASSE 36/A30 CENTER
32584 LÖHNE
TEL. 05731 15608-0
FAX. 05731 15608-10
vknord@deutschesalice.de
www.deutschesalice.de

SALICE FRANCE S.A.R.L.

ROUTE DE GOA ZAC LES 3 MOULINS
06600 ANTIBES
TEL. 0493 330069
FAX. 0493 330141
info.salice@salicefrance.com
www.salicefrance.com

SALICE ESPAÑA, S.L.U.

CALLE COPÉRNICO, 11
POLÍGONO INDUSTRIAL
COLL DE LA MANYA
08403 GRANOLLERS (BARCELONA)
TEL. 938 45 88 61
FAX 938 49 11 97
info.salice@saliceespana.es
www.saliceespana.es

SALICE UK LTD.

KINGFISHER WAY
HUNCHINGBROOKE BUSINESS PARK
HUNTINGDON CAMBS PE 29 6FN
TEL. 01480 413831
FAX. 01480 451489
info.salice@saliceuk.co.uk
www.saliceuk.co.uk

SALICE AMERICA INC.

2123 CROWN CENTRE DRIVE
CHARLOTTE NC. 28227
TEL. 704 8417810
FAX. 704 8417808
info.salice@saliceamerica.com
www.saliceamerica.com

SALICE CANADA INC.

4025 SLADEVIEW CRESCENT
UNIT # 7-9
MISSISSAUGA, ONTARIO L5L 5Y1
TEL. 905 8208787
FAX. 905 8207226
info.salice@salicecanada.com
www.salicecanada.com

SALICE CHINA

(SHANGHAI) CO. LTD.

1st FLOOR, B1 BLDG 928 MINGZHU ROAD
XUJING, QINGPU DISTRICT
SHANGHAI 201702 - CHINA
Tel. 021 3988 9880
Fax 021 3988 9882
info.salice@salicechina.com
www.salicechina.com